



e.h.price

ALBERTA

STOCK BOOK

Edmonton · Calgary

EFFECTIVE: December 1, 2010
REPLACES: September 1, 2009

www.ehpricedmonton.com
www.ehpricecalgary.com

| Product | Description | Page # |
|--|--|--------|
| EH Price Grilles, Registers & Diffusers | | |
| RCDE | Round Cone Diffuser | 5 |
| RCDA | Adjustable Round Cone Diffuser | 5 |
| SCD | Square Cone Diffuser | 6 |
| SPF | Drywall Frame | 6 |
| SPD | Square Plaque Diffuser | 7 |
| SCDA | Adjustable Square Cone Diffuser | 8 |
| Diffuser Accessories | Dampers, Equalizing Grid | 8 |
| 520D | Double Deflection Louvered Supply Grille w/Damper | 9 |
| 530 | Single Deflection Fixed Blade Louvered Return Grille | 10 |
| 80, 80D | Egg Crate Return Grille | 11-12 |
| STG1 | Aluminum Transfer / Door Grille | 12 |
| SDS | Linear Slot Diffuser | 13 |
| LTA | Light Troffer Diffuser | 14 |
| VPD-HC / VPD-C | Varitherm | 15 |
| EH Price Terminal Units | | |
| SPV8000 | Single Duct Terminal Unit c/w Pneumatic Controls | 16 |
| SDV5000 | Single Duct Terminal Unit (No Controls) | 16 |
| CP101 & CSC-3011 | Pneumatic Controller | 16 |
| SEV & DDC | Electric Controls | 16 |
| ATT-3 | Attenuator | 17 |
| Heating Coil | | 17 |
| LGB | Single Duct By-Pass Terminal Unit | 18-19 |
| EHC & EHC1 | Electric Cooling/Heating Changeover | 20 |
| Fans & Ventilation | | |
| FV Series | Panasonic Whisper Ceiling Fan | 21 |
| SP | Greenheck Ceiling Exhaust Fan | 21-23 |
| CSP | Greenheck Cabinet Exhaust Fan | 24-26 |
| GB | Greenheck Belt Driven Roof Exhaust Fan | 27-29 |
| CUBE | Greenheck Belt Driven Roof Upblast Exhaust Fan | 30 |
| EH Price Louvers | | |
| MA609X | Architectural Blade Louver | 31 |
| EH Price Fire Dampers | | |
| FD | Curtain Type Fire Dampers | 32 |
| CDRD & CFS | Ceiling Fire Stop Flaps | 32 |
| Thermal Blankets | | 33 |
| Actuators | | 33 |

| Product | Description | Page # |
|-------------------------------------|--------------------------|--------|
| Thermostatic Valves | | |
| | Temperature Regulator | 34 |
| Honeywell/Vulcan Products | | 34 |
| Banvil Products | | |
| | Ceiling Circulation Fans | 35 |
| | Speed Controllers | 35 |
| Dwyer Products | | 36 |
| Oueullet Products | | |
| | Line Voltage Thermostats | 37-38 |
| Canarm Products | | |
| | Standard Fans | 39 |
| United McGill Corp. Products | | |
| | Sealant & Adhesives | 39 |
| Air King Products | | 40 |
| GNN Genuin Products | | 40 |

E.H. Price and Greenheck have special delivery programs on line for the majority of their products which may not be carried in stock. These **“QUICK SHIP”** items will leave the factory within 5 and 10 working days from placement of order.

The equipment available includes:

From E.H. Price

- Terminal Units - Single Duct
 - Fan Powered
 - By-Pass Boxes
- Steel Grilles and Registers
- Louvers
- Dampers - Fire, Fire/Smoke, Smoke & Control
- Gym Grilles
- Linear Bar Grilles
- Slot Diffusers
- Square and Round
- Ceiling Diffusers

From Greenheck

- Make-Up Air Units
- Kitchen Hoods
- Axial and Vane-Axial Fans
- Centrifugal Fans
- Motorized / Industrial Control Dampers
- Roof Exhaust Fans
- Dampers
- Propeller Fans
- Inline Fans
- Fire / Smoke Dampers

If you would like more information on this program, shipping information or on **“IN STOCK”** equipment, please call your local E.H. Price Representative.

RCDE - 2 Position

(available Edmonton & Calgary)

| Size | CFM | | | NC 30 | |
|------|-------|-------|-------|---------------------------------|--------------------------------|
| | NC 25 | NC 30 | NC 35 | Radius of Diffusion VT = 100 | S.P. Horizontal Position |
| 6 | 175 | 200 | 235 | 6 | .10 |
| 8 | 240 | 275 | 325 | 7 | .09 |
| 10 | 425 | 490 | 580 | 9 | .09 |
| 12 | 610 | 705 | 805 | 11 | .08 |
| 14 | 680 | 800 | 930 | 12 | .10 |



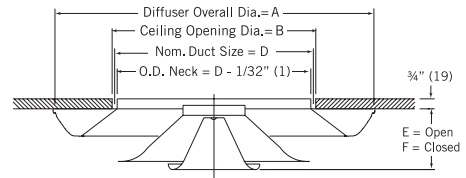
**RCDE/B12
2 Position
Round Cone Diffuser**

Performance Notes:

1. Radius of diffusion shown in feet, based on horizontal air pattern and 20°F cooling differential.
2. S.P. shown in inches of water.

Dimensional Data — Imperial (inches) / Metric (mm)

| Nominal Size | A | B | D | E | F |
|--------------|--------------------------------------|--------------------------------------|----------|------------------------------------|------------------------------------|
| 6 | 11 ¹ / ₈ (283) | 6 ¹ / ₂ (165) | 6 (152) | 1 ³ / ₄ (45) | 1 ¹ / ₈ (29) |
| 8 | 14 ³ / ₄ (375) | 8 ¹ / ₂ (216) | 8 (203) | 2 ¹ / ₈ (54) | 1 ¹ / ₂ (38) |
| 10 | 18 ¹ / ₄ (464) | 10 ¹ / ₂ (267) | 10 (254) | 2 ⁷ / ₈ (73) | 2 ¹ / ₈ (54) |
| 12 | 22 (559) | 12 ¹ / ₂ (318) | 12 (305) | 3 ¹ / ₈ (79) | 2 ³ / ₈ (60) |
| 14 | 26 (660) | 14 ¹ / ₂ (368) | 14 (356) | 3 ³ / ₄ (86) | 2 ⁵ / ₈ (67) |



RCDA - Adjustable

(available Edmonton & Calgary)

| Size | CFM | | | NC 30 | |
|------|-------|-------|-------|---------------------------------|--------------------------------|
| | NC 25 | NC 30 | NC 35 | Radius of Diffusion VT = 100 | S.P. Horizontal Position |
| 6 | 165 | 195 | 228 | 5 | .07 |
| 8 | 275 | 325 | 385 | 6 | .06 |
| 10 | 415 | 490 | 580 | 8 | .06 |
| 12 | 590 | 685 | 810 | 9 | .06 |
| 14 | 770 | 880 | 1060 | 10 | .05 |
| 16 | 980 | 1155 | 1365 | 11 | .05 |



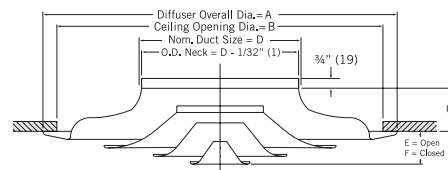
**RCDA/B12
Adjustable Round
Cone Diffuser**

Performance Notes:

1. Radius of diffusion shown in feet, based on horizontal air pattern and 20°F cooling differential.
2. S.P. shown in inches of water.

Dimensional Data — Imperial (inches) / Metric (mm)

| Nominal Size | A | B | C | D | E | F |
|--------------|--------------------------------------|----------|-------------------------------------|----------|---------------------------------------|--------------------------------------|
| 6 | 13 ¹ / ₂ (343) | 12 (305) | 1 ⁵ / ₈ (41) | 6 (44) | 1 ³ / ₄ (44) | 1 ⁵ / ₁₆ (24) |
| 8 | 18 (457) | 16 (406) | 2 ¹ / ₈ (54) | 8 (56) | 2 ³ / ₁₆ (56) | 1 ³ / ₁₆ (30) |
| 10 | 22 ¹ / ₂ (572) | 20 (508) | 2 ⁵ / ₈ (67) | 10 (68) | 2 ¹¹ / ₁₆ (68) | 1 ⁷ / ₁₆ (37) |
| 12 | 27 (686) | 24 (610) | 3 ¹ / ₄ (83) | 12 (79) | 3 ¹ / ₈ (79) | 1 ⁵ / ₈ (41) |
| 14 | 31 ¹ / ₂ (800) | 28 (711) | 3 ³ / ₄ (95) | 14 (100) | 3 ¹⁵ / ₁₆ (100) | 1 ¹⁵ / ₁₆ (49) |
| 16 | 36 (914) | 32 (813) | 4 ¹ / ₄ (108) | 16 (108) | 4 ¹ / ₄ (108) | 2 ¹ / ₄ (57) |



SCD - Round Neck

(available Edmonton & Calgary)

Square Ceiling Diffuser

Still one of the most efficient diffusers for any ceiling application! Ideal for VAV applications! Specially designed to eliminate the causes of ceiling smudging and streaking.

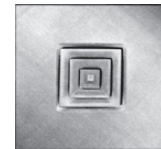
| | SCD/31 Surface Mt. T-Bar | | SCD/31 T-Bar (Metric) | SCD/3P T-Bar | SCD/3P | SCD/3P | CFM | | | NC 30 | |
|-----|--------------------------|-------|-----------------------|--------------|--------|--------|-------|-------|-------|-------|------|
| | 12x12 | 24x24 | 20x20 | 750x750 | 24x24 | 30x30 | NC 25 | NC 30 | NC 35 | VT=50 | S.P. |
| 4" | • | | | | | 122 | 145 | 173 | 6 | .06 | |
| 5" | • | | | | | 163 | 190 | 220 | 8 | .07 | |
| 6" | • | | | • | | 209 | 243 | 289 | 8 | .08 | |
| 8" | • | | | • | | 305 | 361 | 419 | 11 | .13 | |
| 6" | | • | • | • | | • | 215 | 251 | 294 | 6 | .05 |
| 8" | | • | • | • | | • | 340 | 405 | 475 | 8 | .05 |
| 10" | | • | • | • | | • | 491 | 581 | 676 | 8 | .07 |
| 12" | | • | | | | • | 654 | 785 | 916 | 10 | .08 |
| 14" | | • | | | | • | 855 | 998 | 1176 | 11 | .09 |
| 15" | | • | | | | • | 951 | 1104 | 1309 | 12 | .09 |



SCD/31/24x24/B12 Square Cone Diffusers



SCD/31/20x20/B12 Square Cone Diffusers - 20 x 20 Full Face Model



SCD/3P/24x24/B12 Square Cone Diffusers - 12x12 Diffuser in a 24 x 24 Panel

Performance Notes:

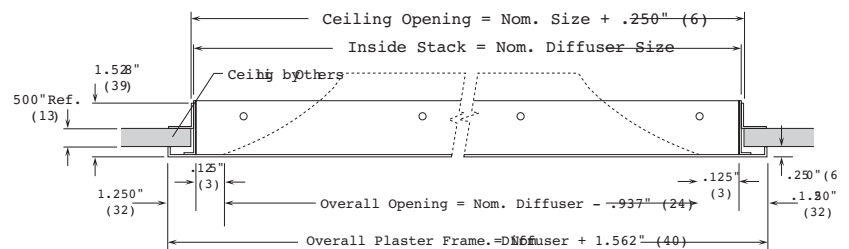
1. Throw data based on supply air and room air being at isothermal conditions.
2. S.P. shown in inches of water

SPF - Drywall Frame for Access into Ceiling

(available Edmonton & Calgary)

24 x 24 Ceiling Diffusers and Registers

| | |
|---------|----------------|
| 12 x 12 | 24 x 24 |
| 20 x 20 | (Calgary only) |



SPD DIFFUSERS:

(available Edmonton & Calgary)

Price SPD Series square plaque diffuser satisfies both architectural appeal and engineering performance criteria. Simple, clean and unobtrusive face design is intended to blend with most ceiling systems.

- Heavy gauge steel construction.
- Face panel has smooth edges and rounded off corners to blend with back cone.
- Back cone is one piece die-formed with smooth, aerodynamically designed surfaces and no corner joints.
- Helps prevent ceiling smudging.
- The back cone shape combines with the face panel to deliver a tight, 360° radial horizontal air pattern.
- Face panel is easily installed and removed without special tools.
- Maintains true horizontal air pattern even at low air volumes making it excellent for VAV applications.



**SPD/31/24x24/B12
Square Plaque Diffusers -
24 x 24 Full Face Model**

Performance Data – 24 x 24 (600 x 600) Face Size

| Listed Size | Neck Velocity, fpm | 400 | 500 | 600 | 700 | 800 | 900 | 1000 | 1200 | 1400 | 1600 |
|-------------|----------------------------|-------|--------|--------|--------|--------|--------|---------|---------|---------|---------|
| | Velocity Pressure, in w.g. | .010 | .016 | .022 | .031 | .040 | .050 | .062 | .090 | .122 | .160 |
| | Total Pressure, in w.g. | .010 | .016 | .023 | .032 | .041 | .053 | .065 | .093 | .127 | .166 |
| 6 | Flow Rate, cfm | 78 | 98 | 118 | 137 | 157 | 176 | 196 | 235 | 274 | 314 |
| | NC | — | — | — | — | — | 19 | 22 | 29 | 34 | 38 |
| | Throw 150, 100, 50 | 1-2-4 | 1-2-4 | 2-3-5 | 2-3-6 | 2-4-6 | 3-4-7 | 3-4-7 | 4-5-8 | 4-6-9 | 5-7-9 |
| | Total Pressure, in w.g. | .018 | .029 | .042 | .057 | .074 | .093 | .115 | .166 | .226 | .295 |
| 8 | Flow Rate, cfm | 140 | 175 | 209 | 244 | 279 | 314 | 349 | 419 | 489 | 558 |
| | NC | — | — | — | — | 19 | 23 | 27 | 33 | 38 | 43 |
| | Throw 150, 100, 50 | 2-2-5 | 2-3-6 | 2-4-7 | 3-4-8 | 3-5-9 | 4-6-9 | 4-6-10 | 5-7-11 | 6-8-12 | 7-9-12 |
| | Total Pressure, in w.g. | .029 | .045 | .065 | .088 | .115 | .146 | .180 | .259 | .353 | .461 |
| 10 | Flow Rate, cfm | 218 | 273 | 327 | 382 | 436 | 491 | 545 | 654 | 763 | 872 |
| | NC | — | — | — | 18 | 22 | 26 | 30 | 36 | 41 | 46 |
| | Throw 150, 100, 50 | 2-3-6 | 3-4-8 | 3-5-9 | 4-6-10 | 4-6-11 | 5-7-12 | 5-8-12 | 6-9-13 | 8-10-14 | 9-11-15 |
| | Total Pressure, in w.g. | .041 | .065 | .093 | .127 | .166 | .210 | .259 | .373 | .508 | .664 |
| 12 | Flow Rate, cfm | 314 | 393 | 471 | 550 | 628 | 707 | 785 | 942 | 1099 | 1256 |
| | NC | — | — | — | 21 | 25 | 29 | 33 | 39 | 44 | 49 |
| | Throw 150, 100, 50 | 3-4-8 | 3-5-10 | 4-1-11 | 5-1-12 | 5-8-13 | 6-9-14 | 7-10-15 | 8-11-16 | 9-12-17 | 11-13-9 |

Performance Data – 12 x 12 (300 x 300) Face Size

| Listed Size | Neck Velocity, fpm | 400 | 500 | 600 | 700 | 800 | 900 | 1000 | 1200 | 1400 | 1600 |
|-------------|----------------------------|-------|--------|--------|--------|--------|--------|---------|---------|----------|----------|
| | Velocity Pressure, in w.g. | .010 | .016 | .022 | .031 | .040 | .050 | .062 | .090 | .122 | .160 |
| | Total Pressure, in w.g. | .038 | .059 | .085 | .116 | .152 | .192 | .237 | .341 | .464 | .606 |
| 6 | Flow Rate, cfm | 78 | 98 | 118 | 137 | 157 | 176 | 196 | 235 | 274 | 314 |
| | NC | — | — | — | — | — | 18 | 23 | 31 | 38 | 44 |
| | Throw 150, 100, 50 | 2-3-6 | 2-4-7 | 3-4-8 | 3-5-9 | 4-6-10 | 4-7-10 | 5-7-11 | 6-8-12 | 7-9-13 | 8-10-14 |
| | Total Pressure, in w.g. | .068 | .106 | .153 | .208 | .271 | .343 | .424 | .610 | .831 | 1.085 |
| 8 | Flow Rate, cfm | 140 | 175 | 209 | 244 | 279 | 314 | 349 | 419 | 489 | 558 |
| | NC | — | — | — | — | 17 | 22 | 27 | 36 | 43 | 49 |
| | Throw 150, 100, 50 | 3-4-8 | 3-5-10 | 4-6-11 | 5-7-12 | 6-8-13 | 6-9-14 | 7-10-15 | 8-11-16 | 10-12-17 | 11-13-18 |

SCDA - Round Neck

(available Edmonton & Calgary)

| Duct | CFM | | | NC 30 | |
|------|-------|-------|-------|---------------------------------|------|
| | NC 25 | NC 30 | NC 35 | Radius of Diffusion VT = 100 | S.P. |
| 6 | 1856 | 213 | 250 | 4 | .05 |
| 8 | 305 | 349 | 407 | 7 | .07 |
| 10 | 450 | 518 | 600 | 8 | .09 |
| 12 | 609 | 707 | 811 | 9 | .09 |



SCDA/3/24x24/B12
Adjustable Square Cone Diffusers -
24 x 24 Full Face Model T-Bar
Mount

Performance Notes:

1. Throw data based on supply air and room air being at isothermal conditions.
2. S.P. shown in inches of water.
3. The above performance data is for horizontal projection. For vertical performance data, see the Price Air Distribution Products catalogue.

DIFFUSER ACCESSORIES:

(available Edmonton & Calgary)



VCR8
Volume Control Damper

| | |
|----|-----|
| 6" | 10" |
| 8" | 12" |

DIFFUSER ACCESSORIES:

(available Edmonton only)



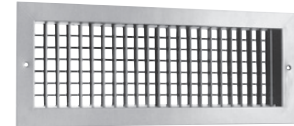
VCS3
Grille Mounted
Opposed Blade Damper

| | |
|---------|---------|
| 6 x 6 | 12 x 6 |
| 8 x 6 | 12 x 8 |
| 8 x 8 | 12 x 12 |
| 10 x 6 | 24 x 12 |
| 10 x 10 | 24 x 24 |

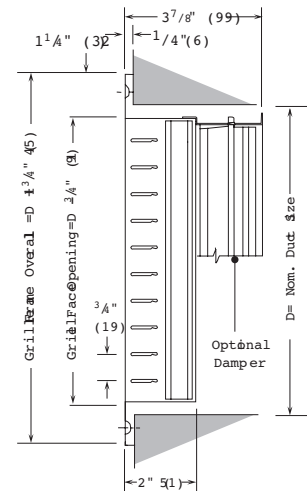
520D - Double Deflection c/w Damper

(available Edmonton & Calgary)

| Size | CFM | | | NC 30 | |
|---------|-------|-------|-------|-------------------|------|
| | NC 25 | NC 30 | NC 35 | Throw VT = 100 | S.P. |
| 6 x 4 | 108 | 128 | 180 | 16 | .10 |
| 6 x 6 | 170 | 200 | 235 | 18 | .10 |
| 8 x 4 | 170 | 200 | 235 | 18 | .10 |
| 8 x 6 | 239 | 277 | 324 | 22 | .093 |
| 8 x 8 | 333 | 390 | 470 | 26 | .084 |
| 10 x 4 | 205 | 243 | 283 | 20 | .098 |
| 10 x 6 | 293 | 352 | 410 | 24 | .089 |
| 10 x 8 | 383 | 447 | 532 | 26 | .084 |
| 10 x 10 | 480 | 566 | 672 | 31 | .075 |
| 12 x 4 | 239 | 277 | 324 | 22 | .093 |
| 12 x 6 | 333 | 390 | 470 | 26 | .084 |
| 12 x 8 | 480 | 566 | 672 | 31 | .075 |
| 12 x 10 | 534 | 643 | 760 | 33 | .074 |
| 12 x 12 | 675 | 797 | 936 | 37 | .054 |
| 14 x 4 | 266 | 312 | 372 | 23 | .090 |
| 14 x 6 | 383 | 447 | 532 | 26 | .084 |
| 14 x 8 | 534 | 643 | 760 | 33 | .074 |
| 16 x 6 | 430 | 505 | 590 | 30 | .084 |
| 16 x 8 | 629 | 741 | 890 | 34 | .071 |
| 16 x 10 | 675 | 797 | 936 | 37 | .067 |
| 16 x 16 | 1120 | 1326 | 1554 | 47 | .058 |
| 18 x 4 | 333 | 390 | 470 | 26 | .084 |
| 18 x 6 | 480 | 566 | 672 | 31 | .075 |
| 18 x 8 | 675 | 797 | 936 | 37 | .067 |
| 18 x 12 | 973 | 1147 | 1340 | 44 | .063 |
| 20 x 6 | 534 | 643 | 760 | 33 | .074 |
| 24 x 4 | 430 | 505 | 590 | 30 | .050 |
| 24 x 6 | 659 | 776 | 932 | 35 | .071 |
| 24 x 8 | 855 | 1012 | 1180 | 41 | .063 |
| 24 x 10 | 1045 | 1237 | 1450 | 46 | .058 |
| 24 x 12 | 1224 | 1440 | 1697 | 49 | .054 |
| 24 x 18 | 1782 | 2085 | 2500 | 59 | .048 |
| 24 x 24 | 2242 | 2620 | 3096 | 66 | .044 |
| 30 x 6 | 776 | 927 | 1105 | 40 | .064 |
| 30 x 8 | 1070 | 1261 | 1473 | 46 | .063 |
| 30 x 10 | 1278 | 1504 | 1772 | 50 | .054 |
| 30 x 12 | 1511 | 1772 | 2089 | 55 | .077 |
| 36 x 18 | 2656 | 3108 | 3676 | 72 | .044 |



520D/F/S/AB12
Double Deflection Louvered
Supply Grilles w/ Damper



F - Border
S - Blades in front to short dimension
A - Screw hole fastenings

Performance Notes:

1. Throw data based on supply air and room air being at isothermal conditions.
2. S.P. shown in inches of water.

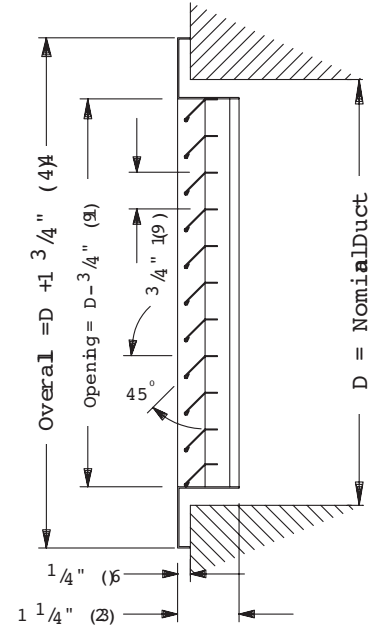
530 - Fixed Louvers No Damper

(available Edmonton & Calgary)

| Size | CFM | | | S.P. at NC 30 |
|---------|-------|-------|-------|---------------|
| | NC 25 | NC 30 | NC 35 | |
| 6 x 4 | 66 | 80 | 98 | 0.15 |
| 6 x 6 | 110 | 130 | 162 | 0.15 |
| 8 x 4 | 110 | 130 | 162 | 0.15 |
| 8 x 6 | 156 | 185 | 215 | 0.14 |
| 8 x 8 | 225 | 265 | 320 | 0.13 |
| 10 x 4 | 132 | 160 | 195 | 0.13 |
| 10 x 6 | 200 | 238 | 275 | 0.136 |
| 10 x 8 | 255 | 310 | 368 | 0.13 |
| 10 x 10 | 315 | 390 | 480 | 0.12 |
| 12 x 4 | 156 | 185 | 215 | 0.14 |
| 12 x 6 | 225 | 265 | 320 | 0.13 |
| 12 x 8 | 315 | 390 | 480 | 0.12 |
| 12 x 10 | 370 | 450 | 540 | 0.125 |
| 12 x 12 | 470 | 570 | 682 | 0.11 |
| 14 x 4 | 170 | 210 | 255 | 0.136 |
| 14 x 6 | 255 | 310 | 368 | 0.13 |
| 14 x 8 | 370 | 450 | 540 | 0.125 |
| 14 x 10 | 470 | 570 | 615 | 0.11 |
| 14 x 14 | 590 | 725 | 840 | 0.115 |
| 16 x 6 | 290 | 342 | 416 | 0.125 |
| 16 x 8 | 470 | 570 | 615 | 0.11 |
| 16 x 12 | 590 | 725 | 840 | 0.115 |
| 16 x 16 | 800 | 960 | 1120 | 0.10 |
| 18 x 6 | 315 | 390 | 480 | 0.12 |
| 18 x 8 | 470 | 570 | 682 | 0.11 |
| 18 x 12 | 670 | 804 | 950 | 0.10 |
| 18 x 18 | 980 | 1210 | 1456 | 0.115 |
| 20 x 10 | 590 | 725 | 840 | 0.115 |
| 24 x 6 | 470 | 570 | 682 | 0.11 |
| 24 x 8 | 590 | 725 | 840 | 0.115 |
| 24 x 12 | 860 | 1040 | 1260 | 0.115 |
| 24 x 16 | 1140 | 1380 | 1670 | 0.09 |
| 24 x 18 | 1300 | 1550 | 1890 | 0.09 |
| 24 x 24 | 1023 | 1232 | 1500 | 0.045 |
| 30 x 8 | 670 | 804 | 950 | 0.10 |
| 30 x 18 | 1624 | 1950 | 2345 | 0.08 |
| 36 x 18 | 1930 | 2290 | 2788 | 0.08 |
| 36 x 24 | 2450 | 2910 | 3450 | 0.075 |



530/F/L/A/B12
Single Deflection Fixed Blade
Louvered Return Grilles



530 / F / L / A / B12 (White)
3/4" (19) Blade Spacing
Fixed Louvers, No Damper

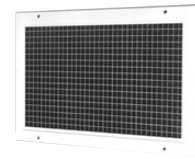
Performance Notes:

1. S.P. shown in inches of water.

80 Grille

(available Edmonton & Calgary)

| Size | CFM | | | S.P. NC 30 |
|---------|-------|-------|-------|---------------|
| | NC 25 | NC 30 | NC 35 | |
| 6 x 6 | 165 | 190 | 216 | 0.182 |
| 8 x 4 | 165 | 190 | 216 | 0.182 |
| 8 x 6 | 200 | 260 | 290 | 0.172 |
| 8 x 8 | 280 | 360 | 410 | 0.162 |
| 10 x 4 | 200 | 235 | 257 | 0.182 |
| 10 x 6 | 280 | 330 | 365 | 0.162 |
| 10 x 10 | 480 | 530 | 640 | 0.150 |
| 12 x 4 | 200 | 260 | 290 | 0.172 |
| 12 x 6 | 280 | 360 | 410 | 0.162 |
| 12 x 8 | 480 | 530 | 640 | 0.150 |
| 12 x 10 | 552 | 600 | 710 | 0.143 |
| 12 x 12 | 690 | 840 | 900 | 0.140 |
| 14 x 10 | 630 | 750 | 830 | 0.143 |
| 14 x 14 | 840 | 980 | 1110 | 0.140 |
| 16 x 6 | 430 | 490 | 570 | 0.195 |
| 16 x 8 | 630 | 750 | 830 | 0.143 |
| 16 x 16 | 1220 | 1380 | 1500 | 0.130 |
| 18 x 8 | 690 | 840 | 900 | 0.140 |
| 20 x 12 | 1220 | 1340 | 1500 | 0.132 |
| 20 x 20 | 2020 | 2290 | 2600 | 0.110 |
| 24 x 6 | 690 | 840 | 900 | 0.145 |
| 24 x 12 | 1310 | 1490 | 1700 | 0.124 |
| 24 x 18 | 1900 | 2180 | 2450 | 0.104 |
| 24 x 24 | 2350 | 2790 | 3200 | 0.104 |



80/C/SW/AB12
Egg Crate Return Grilles
Surface Mount, C Border

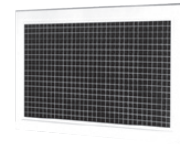
Performance Notes:

1. S.P. shown in inches of water.

Egg Crate Returns

(available Edmonton and Calgary)

| Size | CFM | | | S.P. at NC 30 |
|---------|-------|-------|-------|----------------------|
| | NC 25 | NC 30 | NC 35 | |
| 24 x 12 | 1310 | 1490 | 1700 | 0.124 |
| 24 x 24 | 2350 | 2790 | 3200 | 0.104 (Calgary only) |

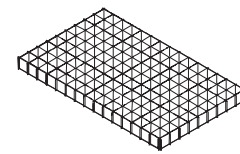


80/ LI/B12
1/2" Egg Crate Return
T-Bar Lay-In Models
No Damper

Performance Notes:

- Returns with NF borders have duct connections 3/4" smaller than those for F borders.
- S.P. shown in inches of water.

| Size | CFM | | | S.P. at NC 30 |
|----------|-------|-------|-------|--------------------|
| | NC 25 | NC 30 | NC 35 | |
| 48 x 24* | 4700 | 5580 | 6400 | .06 |
| 60 x 30* | 6250 | 7450 | 8650 | .06 (Calgary only) |



80 Core/B12*
Egg Crate Returns (Core Only)
T-Bar Lay-In Models
Aluminum Grid 0° Deflection
1/2" x 1/2" x 1/2" (13)

Performance Notes:

- S.P. shown in inches of water.

STG1 Door Grilles

(available Edmonton & Calgary)

| Size | CFM | | NC 30 |
|---------|----------|----------|-------|
| | P = .02" | P = .06" | |
| 12 x 6 | 59 | | 78 |
| 12 x 8 | 90 | | 120 |
| 12 x 12 | 135 | | 180 |
| 14 x 8 | 100 | | 140 |
| 16 x 8 | 122 | | 162 |
| 16 x 10 | 135 | | 180 |
| 16 x 14 | 201 | | 268 |
| 18 x 12 | 201 | | 268 |
| 18 x 18 | 312 | | 416 |
| 20 x 10 | 177 | | 236 |
| 24 x 12 | 270 | | 360 |
| 24 x 16 | 368 | | 490 |
| 24 x 18 | 417 | | 556 |
| 24 x 24 | 542 | | 722 |



ATG1/BF/B15
Aluminum Transfer/Door Grilles
w/ Border on Both Sides
Calgary only

STG/BF/B15
Steel Transfer/Door Grilles
w/ Border on Both Sides
Edmonton only

Performance Notes:

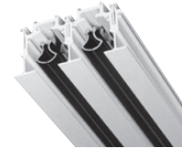
- DP = S.P. shown in inches of water.

SDS - Linear Slot Diffuser

Calgary Only

SDS 75 - 3/4" Air Slots (available from Calgary only)

- Available Sizes: 1, 2, 3 or 4 Slots
- Lengths of 2, 4, 6, or 8 ft.
- With or Without End Borders
- Type 2 Border Frame c/w Concealed Mounting
- Finish: Exposed Face - B12 White Pattern Blades - B17 Black



60"/SDS75/2/2/XX/B12
2 Slot, Surface Mount Concealed
Diffuser - 3/4" Slot Width

| Length | CFM | | | NC30 | |
|----------------------|------|------|------|------------------|------|
| | NC25 | NC30 | NC35 | Throw VT = 50 | T.P. |
| 2'0" c/w End Borders | 85 | 100 | 115 | 8 | .230 |
| 4'0" c/w Open Ends | 148 | 174 | 204 | 13 | .175 |
| 6'0" c/w End Borders | 216 | 252 | 288 | 16 | .175 |

| Length | CFM | | | NC30 | |
|----------------------|------|------|------|------------------|------|
| | NC25 | NC30 | NC35 | Throw VT = 50 | T.P. |
| 2'0" c/w End Borders | 148 | 174 | 204 | 14 | .189 |
| 4'0" c/w Open Ends | 256 | 296 | 348 | 18 | .135 |
| 6'0" c/w End Borders | 366 | 426 | 498 | 22 | .125 |

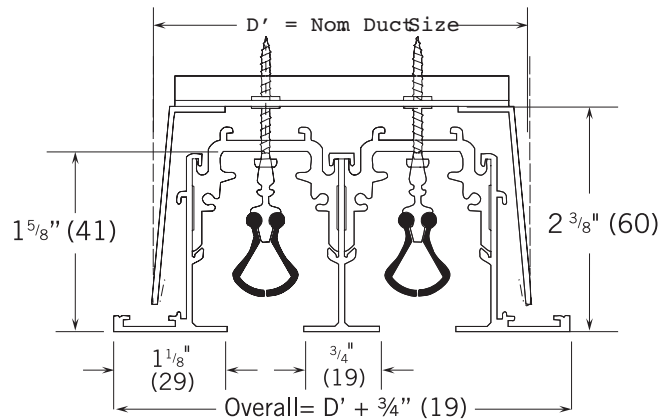
| Length | CFM | | | NC30 | |
|----------------------|------|------|------|------------------|-------|
| | NC25 | NC30 | NC35 | Throw VT = 50 | T.P. |
| 2'0" c/w End Borders | 204 | 240 | 280 | 17 | .158 |
| 4'0" c/w Open Ends | 348 | 408 | 480 | 21 | .114 |
| 6'0" c/w End Borders | 498 | 426 | 678 | 22 | .1255 |

2 Slot, Surface Mount - Concealed Fastening

| No. of Slots | Duct Width D' |
|--------------|---------------|
| 1 | 2 1/4" |
| 2 | 3 3/4" |
| 3 | 5 1/4" |
| 4 | 6 3/4" |

Performance Notes:

1. Throw data based on supply air and room air being at isothermal conditions.
2. T.P. is total pressure in inches of water.
3. Capacities are based on pressurized plenum application. For ducted application, see PRICE Air Distribution Products catalogue.

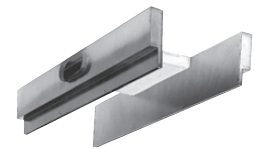


LTA - Light Troffer Diffusers

(available Calgary only)

Cross-Over is Adjustable to Suit Various Light Fixture Widths

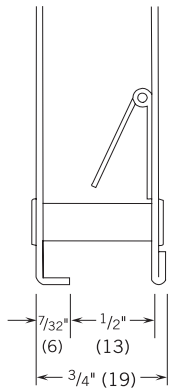
| Size | W | CFM | | | NC30 | |
|-------------|-----------|------|------|------|------------------|------|
| | | NC25 | NC30 | NC35 | Throw VT = 50 | S.P. |
| LTA 14 / LP | 8" - 13" | 128 | 150 | 180 | 13 | .15 |
| LTA 24 / LP | 13" - 24" | 128 | 150 | 180 | 13 | .15 |



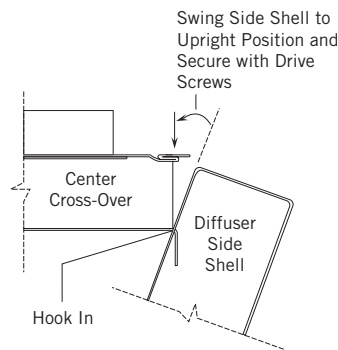
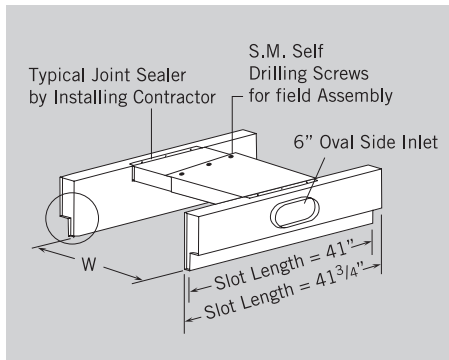
LTA/LP/KD
Light Troffer Diffuser -
Saddle Type Supply Diffuser

Performance Notes:

1. Throw shown in feet, based on horizontal projection and 20°F cooling differential.
2. T.P. is shown in inches of water.



Nose Detail



**Field Assembly of
Cross-Over to Shell**

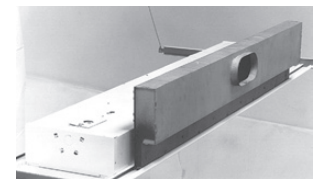
Saddle Type Supply Diffusers

- Double Side Straddle Type Supply
- Supplied Knocked Down for Field Assembly by Installer
- c/w 6" Oval Side Inlet (3" x 7⁹/₁₆")
- Cross-Over is Field Adjustable
- Width 8" - 14" / 14" - 24"

LTA - Light Troffer Diffusers

(available Calgary only)

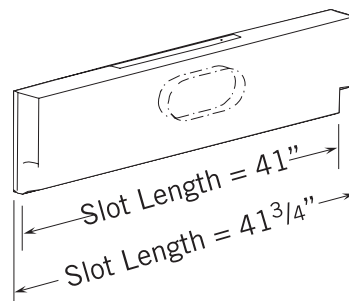
| Size | CFM | | | NC 30 | |
|------|-------|-------|-------|------------------|------|
| | NC 25 | NC 30 | NC 35 | Throw VT = 50 | S.P. |
| 10-4 | 85 | 97 | 112 | 9 | .185 |



LTA 10-4
Light Troffer Diffuser -
Single Sided Supply Diffuser

Performance Notes:

1. Throw data based on supply air and room air being at isothermal conditions.
2. T.P. is shown in inches of water.



VPD-HC/VPD-C - Varitherm® Thermally Powered VAV Diffuser

(available Edmonton & Calgary)



COMFORT MADE EASY.

The Price Varitherm® is comfort made easy. It offers controls which are easy to operate and features the widest airflow range and lowest pressure drop compared to other thermally powered VAV diffusers on the market today. All of the Varitherm® settings can be easily accessed and adjusted tool-free from the room side of the diffuser chassis, a first in the industry. You can trust the Price Varitherm® to perform to the highest industry standards as it is ARI certified and backed by a 10 year warranty.

Maximum Flow Selection Table

| Inlet Size | Neck Velocity, fpm | 400 | 500 | 600 | 700 | 800 | 900 | 1000 | 1200 |
|------------|--------------------|-----------|--------|--------|---------|---------|---------|----------|----------|
| 6 | Velocity Pressure | 0.010 | 0.016 | 0.022 | 0.031 | 0.040 | 0.050 | 0.062 | 0.090 |
| | Static Pressure | 0.014 | 0.021 | 0.031 | 0.042 | 0.054 | 0.069 | 0.085 | 0.123 |
| | Total Pressure | 0.024 | 0.037 | 0.053 | 0.072 | 0.094 | 0.119 | 0.147 | 0.212 |
| | CFM | 79 | 98 | 118 | 137 | 157 | 177 | 196 | 236 |
| | NC | — | — | — | 17 | 21 | 24 | 28 | 33 |
| | Throw, ft | 1-2-4 | 2-2-5 | 2-3-6 | 2-3-6 | 2-4-7 | 3-4-7 | 3-5-8 | 4-6-8 |
| 8 | Static Pressure | 0.022 | 0.034 | 0.049 | 0.067 | 0.087 | 0.110 | 0.136 | 0.196 |
| | Total Pressure | 0.032 | 0.050 | 0.072 | 0.097 | 0.127 | 0.161 | 0.199 | 0.286 |
| | CFM | 140 | 174 | 209 | 244 | 279 | 314 | 349 | 419 |
| | NC | — | — | 18 | 23 | 27 | 30 | 33 | 39 |
| | | Throw, ft | 2-3-7 | 3-4-7 | 3-5-8 | 4-6-9 | 5-7-9 | 5-7-10 | 6-7-11 |
| 10 | Static Pressure | 0.030 | 0.047 | 0.068 | 0.092 | 0.120 | 0.152 | 0.188 | 0.271 |
| | Total Pressure | 0.040 | 0.063 | 0.090 | 0.123 | 0.160 | 0.203 | 0.250 | 0.361 |
| | CFM | 218 | 273 | 327 | 382 | 436 | 491 | 545 | 654 |
| | NC | — | 17 | 23 | 27 | 31 | 35 | 38 | 44 |
| | | Throw, ft | 4-5-9 | 4-7-11 | 5-8-12 | 6-9-12 | 7-9-13 | 8-10-14 | 9-11-15 |
| 12 | Static Pressure | 0.038 | 0.060 | 0.086 | 0.118 | 0.154 | 0.195 | 0.240 | 0.346 |
| | Total Pressure | 0.048 | 0.076 | 0.109 | 0.148 | 0.194 | 0.245 | 0.302 | 0.436 |
| | CFM | 314 | 393 | 471 | 550 | 628 | 707 | 785 | 942 |
| | NC | — | 21 | 26 | 31 | 35 | 39 | 42 | 47 |
| | | Throw, ft | 5-8-11 | 6-9-13 | 8-10-14 | 9-11-15 | 9-11-16 | 10-12-17 | 10-13-18 |

Modulated Flow Selection Table

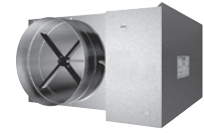
| Inlet Size | .05 Duct Ps | | | 0.10 Duct Ps | | | 0.20 Duct Ps | | | 0.30 Duct Ps | | |
|------------|-------------|------------|----|--------------|------------|----|--------------|------------|----|--------------|------------|----|
| | CFM | Throw, Ft. | NC | CFM | Throw, Ft. | NC | CFM | Throw, Ft. | NC | CFM | Throw, Ft. | NC |
| 6" | 111 | 2-3-6 | 21 | 157 | 3-4-7 | 29 | 222 | 4-6-8 | 37 | 272 | 4-6-9 | 41 |
| | 128 | 2-3-6 | 24 | 181 | 3-4-7 | 29 | 256 | 4-6-9 | 38 | 313 | 5-7-10 | 44 |
| | 150 | 2-4-7 | 28 | 213 | 3-5-8 | 30 | 301 | 5-7-10 | 40 | 369 | 6-7-11 | 46 |
| 8" | 144 | 2-4-7 | 20 | 203 | 3-5-9 | 28 | 287 | 5-7-11 | 35 | 352 | 6-8-12 | 40 |
| | 176 | 3-5-8 | 24 | 249 | 5-7-10 | 28 | 352 | 6-8-12 | 37 | 432 | 8-9-13 | 43 |
| | 211 | 3-5-8 | 28 | 299 | 5-7-10 | 29 | 423 | 7-8-12 | 39 | 518 | 7-9-13 | 45 |
| 10" | 179 | 2-3-7 | 19 | 254 | 3-5-9 | 27 | 359 | 4-7-11 | 35 | 440 | 5-8-12 | 40 |
| | 231 | 5-7-13 | 25 | 326 | 7-10-16 | 27 | 461 | 9-13-19 | 37 | 565 | 11-14-21 | 43 |
| | 281 | 5-7-11 | 30 | 398 | 6-9-13 | 29 | 562 | 9-11-15 | 39 | 689 | 10-12-17 | 45 |
| 12" | 217 | 4-6-12 | 19 | 307 | 6-9-15 | 27 | 434 | 8-12-18 | 35 | 532 | 10-14-20 | 40 |
| | 290 | 5-8-14 | 26 | 410 | 8-11-17 | 27 | 579 | 11-14-20 | 37 | 709 | 13-16-23 | 43 |
| | 358 | 6-9-12 | 31 | 507 | 8-10-14 | 29 | 716 | 10-12-17 | 39 | 877 | 11-13-19 | 45 |

SPV8000 / SDV5000 - Single Duct Terminal Units

(available Edmonton & Calgary)

SDV8000 Air Volume Ranges c/w CP101 Controller

| Unit Size | L/s Min. | L/s Max. | CFM Min. | CFM Max. | Stock Calibration CFM |
|-----------|----------|----------|----------|-----------|-----------------------|
| *4 | 25-106 | 46-106 | 52-225 | 97-225 | 0 / 200 |
| *5 | 32-165 | 61-165 | 67-350 | 130-350 | 0 / 250 |
| 6 | 39-212 | 75-212 | 82-450 | 158-450 | 0 / 300 |
| 7 | 46-307 | 108-307 | 97-650 | 229-650 | 0 / 450 |
| 8 | 71-378 | 142-378 | 150-800 | 300-800 | 0 / 600 |
| 9 | 99-496 | 189-496 | 210-1050 | 400-1050 | 0 / 850 |
| 10 | 127-637 | 241-637 | 270-1350 | 510-1350 | 0 / 950 |
| 12 | 198-991 | 373-991 | 420-2100 | 790-2100 | 0 / 1700 |
| 14 | 283-1416 | 510-1416 | 600-3000 | 1080-3600 | 0 / 2200 |
| 16 | 395-1888 | 620-1888 | 790-4000 | 1380-4000 | 0 / 4000 |



SDV 8000
Single Duct Terminal Unit
c/w pneumatic Controls

SPV8000 / SDV5000 Single Duct NO / DA

- Variable Volume Assemblies
- Pneumatic Control (c / w Pneumatic Actuator)
- Units available "Bare Box" (No Controller) (SDV)

*Note: For 4 & 5 box sizes use a size 6 with the appropriate reducer.

CP101 - Pneumatic Controller

(available Edmonton & Calgary)

- Provides accurate control over a duct velocity range of 0 - 3000 fpm.
- Operates at low system pressures. As effective at 0.02" w.g. as at 6" w.g.
- Completely pressure independent.
- Adjustable minimum and maximum air volume settings easily field adjusted if required.
- Reset span remains constant regardless of maximum and minimum air volume adjustments.
- Provides constant 5 psi reset span as per standard factory calibration.
- Has adjustable start point for reset span to accommodate auxiliaries such as reheat coils.
- Includes option to expand reset span to 10 psi to accommodate most thermostats.
- Adjustable to accommodate either direct acting or reverse acting thermostats. Also settings for either normally open or normally closed damper operation without added control components.
- Standard mounting face down. All adjustments are directly accessible through a ceiling opening.



CP-101 & CSC-3011
Replacement Controller for the
SPV Terminal Unit

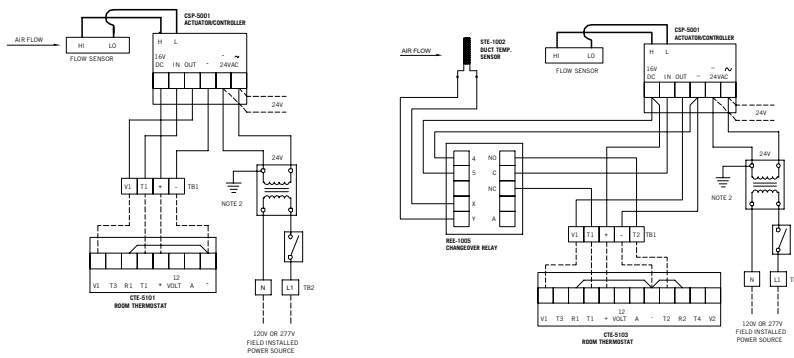
Also available
CP100 Controllers
for replacement parts

Electronic Controller

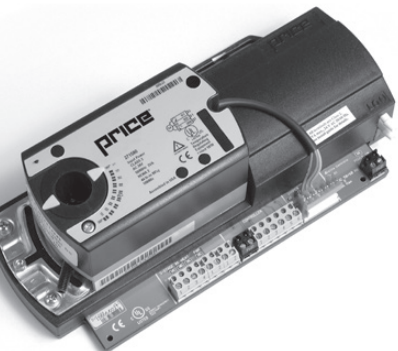
(available Edmonton only)

Electronic Controller

Custom Controls Mounted in Toronto. Please contact your sales representative for information.



SEV - Single Duct Electronic Controls

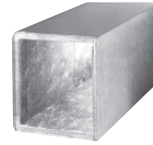


DDC - Electronic Control

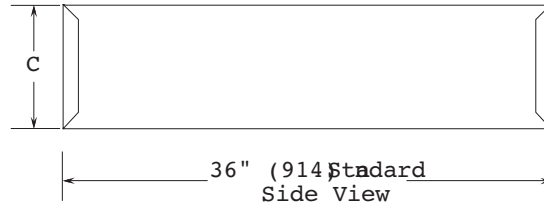
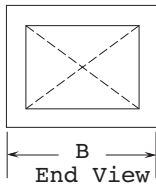
ATT-3 - Attenuator

(available Edmonton & Calgary)

| Unit Size | B (Width) | C (Height) |
|-----------|-----------|-------------------|
| 4, 5, 6 | 12 | 8 |
| 7, 8 | 12 | 10 |
| 9, 10 | 14 | 12 ^{1/2} |
| 12 | 16 | 15 |
| 14 | 20 | 17 ^{1/2} |
| 16 | 24 | 18 |



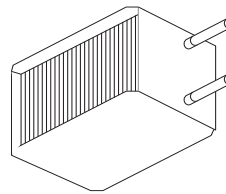
ATT-3
3 Foot Attenuator Section for
SDV & SPV Terminal Units



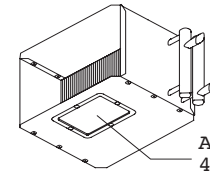
Heating Coils - 1 Row, 2 Row (available in Edmonton), 1 Row (Calgary only)

Dimensional Data — Imperial (inches) / Metric (mm)

| Unit Size | B | C |
|-----------|----------|-------------------------|
| 4, 5, 6 | 12 (305) | 8 (203) |
| 7, 8 | 12 (305) | 10 (254) |
| 9, 10 | 14 (356) | 12 ^{1/2} (318) |
| 12 | 16 (406) | 15 (381) |



Coil Section



Access Doors
4" x 6^{3/4} (102 x 171)
Top & Bottom

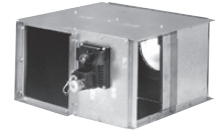
Coil Section c/w CAD
(Coil Access Door)

LGB - By-Pass Boxes

(available Edmonton & Calgary)

CONTROL PACKAGES AVAILABLE FOR THE LGB BY-PASS BOX

- EC (2500) Electric Cooling
- EHC (2502) Electric Cooling/ Heating Changeover
- EHC1 (2503) Electric Cooling/ Heating Changeover with 1 Stage Reheat PNEUMATIC

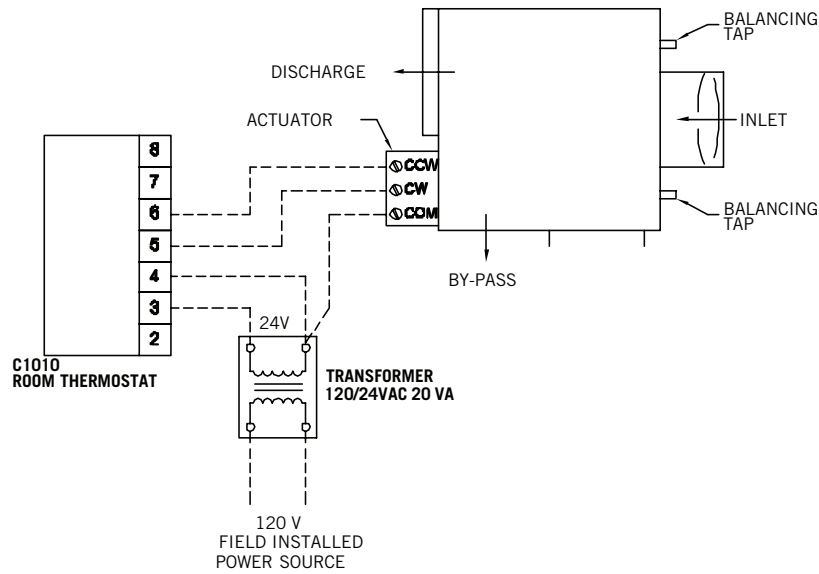


**LGB
By-Pass Box**

| Unit Size | Minimum S.P. Air Flow | | Minimum S.P. Discharge | | By-Pass | | NCLp Discharge | NCLp Radiated |
|-----------|-----------------------|------|------------------------|---------|---------|---------|----------------|---------------|
| | L/s | cfm | Pa | In W.G. | Pa | In W.G. | | |
| 6 | 47 | 100 | 2 | 0.01 | 2 | 0.01 | — | — |
| | 94 | 200 | 12 | 0.05 | 10 | 0.04 | 21 | — |
| | 142 | 300 | 27 | 0.11 | 22 | 0.09 | 33 | — |
| | 189 | 400 | 50 | 0.22 | 40 | 0.16 | 40 | 24 |
| 8 | 189 | 400 | 17 | 0.07 | 32 | 0.13 | 25 | — |
| | 236 | 500 | 25 | 0.1 | 50 | 0.2 | 31 | — |
| | 283 | 600 | 37 | 0.15 | 72 | 0.29 | 36 | 20 |
| | 330 | 700 | 50 | 0.2 | 97 | 0.39 | 40 | 24 |
| 10 | 236 | 500 | 10 | 0.04 | 7 | 0.03 | — | — |
| | 330 | 700 | 20 | 0.08 | 17 | 0.07 | 27 | — |
| | 425 | 900 | 32 | 0.13 | 27 | 0.11 | 34 | — |
| | 519 | 1100 | 50 | 0.2 | 42 | 0.17 | 40 | 24 |
| 12 | 378 | 800 | 12 | 0.05 | 24 | 0.1 | 21 | — |
| | 472 | 1000 | 20 | 0.08 | 40 | 0.16 | 27 | — |
| | 614 | 1300 | 32 | 0.13 | 67 | 0.27 | 36 | — |
| | 755 | 1600 | 50 | 0.2 | 100 | 0.4 | 40 | 24 |
| 14 | 519 | 1100 | 12 | 0.05 | 25 | 0.1 | 21 | — |
| | 661 | 1400 | 22 | 0.09 | 40 | 0.16 | 28 | — |
| | 802 | 1700 | 32 | 0.13 | 60 | 0.24 | 34 | — |
| | 991 | 2100 | 50 | 0.2 | 92 | 0.37 | 40 | 25 |
| 16 | 755 | 1600 | 17 | 0.07 | 27 | 0.11 | 25 | — |
| | 944 | 2000 | 25 | 0.1 | 45 | 0.18 | 31 | — |
| | 1133 | 2400 | 37 | 0.15 | 65 | 0.26 | 36 | 23 |
| | 1321 | 2800 | 50 | 0.2 | 87 | 0.35 | 40 | 27 |

LGB - By-Pass Boxes / Control Sequences

EC (2500) Electric Cooling



LGB - By-Pass Box Dimensions

Dimensional Data / Imperial (Inches)

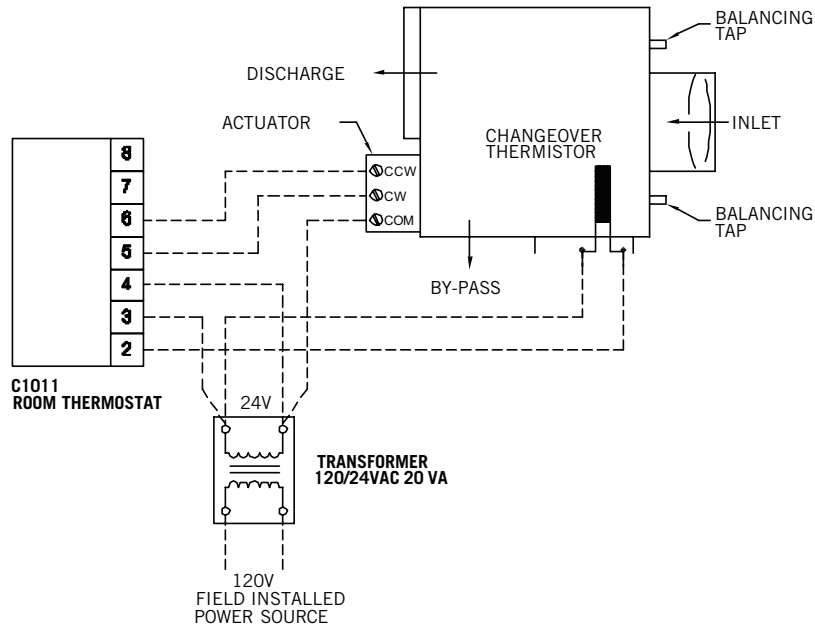
| Unit Size | Air Flow CFM | Inlet Outlet | | | | | | |
|-----------|--------------|--------------|----|----|----|--------|----|--------|
| | | W | L | H | A | B | C | D |
| 6 | 400 | 17 | 17 | 10 | 6 | 9 1/4 | 9 | 10 |
| 8 | 600 | 17 | 17 | 10 | 8 | 9 1/4 | 9 | 10 |
| 10 | 1200 | 25 | 25 | 14 | 10 | 11 5/8 | 13 | 12 1/2 |
| 12 | 1500 | 25 | 25 | 14 | 12 | 11 5/8 | 13 | 12 1/2 |
| 14 | 2000 | 29 | 29 | 16 | 14 | 14 1/4 | 15 | 15 |
| 16 | 2700 | 33 | 33 | 18 | 16 | 15 1/8 | 17 | 17 1/2 |

Dimensional Data / Metric (mm)

| Unit Size | Air Flow CFM | Inlet Outlet | | | | | | |
|-----------|--------------|--------------|-----|-----|-----|-----|-----|-----|
| | | W | L | H | A | B | C | D |
| 6 | 189 | 432 | 432 | 254 | 152 | 235 | 229 | 254 |
| 8 | 283 | 432 | 432 | 254 | 203 | 235 | 229 | 254 |
| 10 | 566 | 635 | 635 | 356 | 254 | 295 | 330 | 318 |
| 12 | 708 | 635 | 635 | 356 | 305 | 295 | 330 | 318 |
| 14 | 944 | 737 | 737 | 406 | 356 | 362 | 381 | 381 |
| 16 | 1274 | 838 | 838 | 457 | 406 | 384 | 432 | 445 |

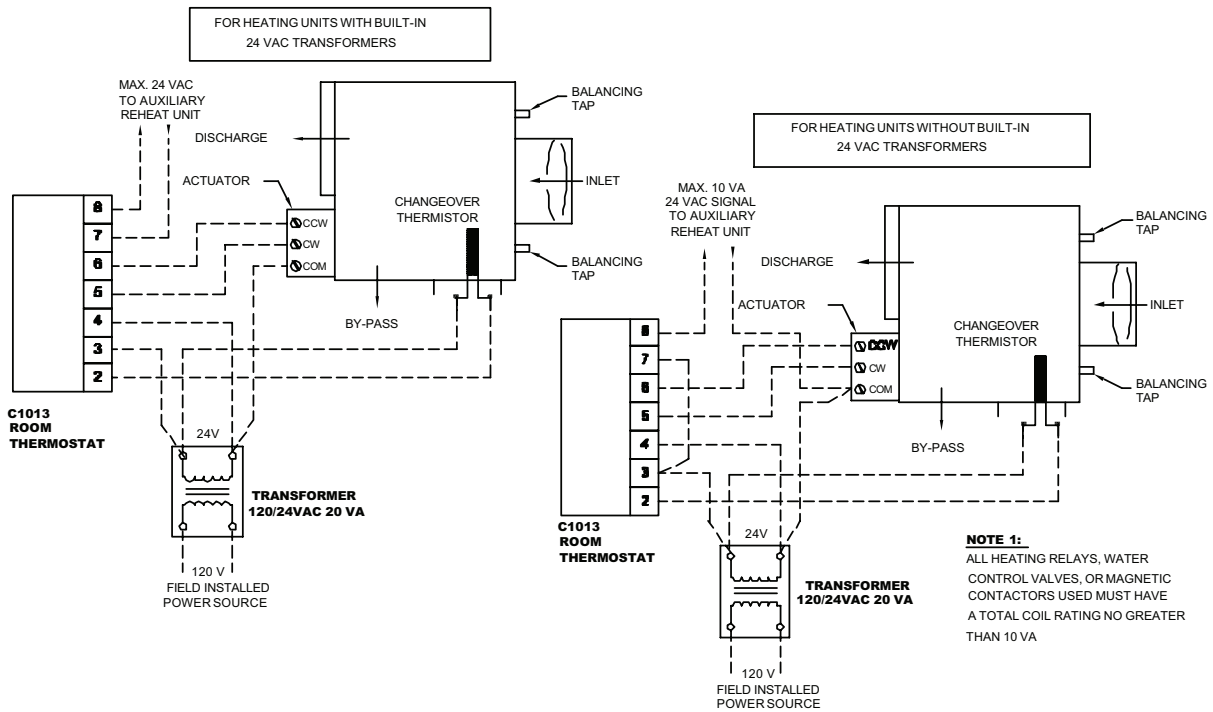
EHC (2502) Electric Cooling/Heating Changeover

(available Edmonton & Calgary)



EHC1 (2503) Electric Cooling/Heating Changeover with 1 Stage Reheat

(available Edmonton only)



WHISPERCEILING SERIES - Panasonic Ceiling Mounted Ventilation Fans

(available Edmonton & Calgary)

Performance Data

| Model | Power (W) | Static Pressure=0.1 | |
|----------|-----------|---------------------|-------|
| | | CFM | Sones |
| FV-05VQ3 | 14 | 50 | <0.3 |
| FV-08VQ3 | 21 | 80 | 0.3 |
| FV-11VQ3 | 27 | 110 | 0.8 |
| FV-20VQ3 | 42 | 190 | 1.3 |



WhisperCeiling Series

Features:

- Built-in weighted back draft damper
- Low profile, contemporary grille design
- Thermal fuse protection
- Double Hanger Bar for Easy Installation
- UL listed for Tub/Shower

Performance Notes:

1. Static Pressure is shown in inches of water.

Dimensional Data

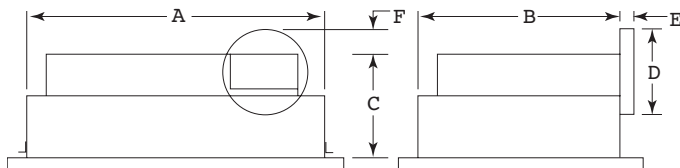
| Fan Size | A | B | C | D |
|----------|---------------------------------|--------------------------------|---|---------------------------------|
| FV-05VQ3 | 9 ¹ / ₈ | 7 ⁷ / ₈ | 4 | 11 ³ / ₁₆ |
| FV-08VQ3 | 9 ¹ / ₈ | 7 ⁷ / ₈ | 4 | 11 ³ / ₁₆ |
| FV-11VQ3 | 9 ¹ / ₈ | 7 ⁷ / ₈ | 4 | 11 ³ / ₁₆ |
| FV-20VQ3 | 12 ³ / ₁₆ | 9 ⁹ / ₃₂ | 6 | 15 |

SP B110-B150 - Greenheck Ceiling Exhaust Fans

(available Edmonton only)

Performance Data

| Model | RPM | Amps | Watts (Input) | CFM / Static Pressure in inches of W.G. | | | | | | | | |
|---------|------|------|---------------|---|-------|-------|-------|-------|-------|-------|-------|-----|
| | | | | 0.000 | 0.100 | 0.125 | 0.250 | 0.375 | 0.500 | 0.625 | 0.750 | |
| SP-B90 | 700 | 065 | 50 | CFM | 102 | 92 | 88 | 75 | 59 | 45 | 30 | - |
| | | | | Sones | 1.9 | 2.6 | 2.7 | 3.0 | 3.6 | 4.1 | 4.9 | - |
| SP-B110 | 950 | 1.14 | 80 | CFM | 133 | 114 | 110 | 98 | 95 | 95 | 92 | 85 |
| | | | | Sones | 2.0 | 2.1 | 2.2 | 2.3 | 2.7 | 2.7 | 3.7 | 4.4 |
| SP-B150 | 1050 | 1.70 | 129 | CFM | 166 | 154 | 153 | 152 | 150 | 150 | 148 | 138 |
| | | | | Sones | 3.0 | 3.2 | 3.3 | 3.6 | 4.3 | 4.5 | 4.9 | 5.3 |
| SP-B200 | 1100 | 2.20 | 173 | CFM | 196 | 195 | 194 | 193 | 191 | 190 | 181 | 167 |
| | | | | Sones | 4.4 | 4.6 | 4.7 | 5.1 | 5.7 | 5.8 | 6.0 | 6.3 |



Dimensional Data

| Model | A | B | C | D | E | F | Grille Size | Wt. |
|-----------------------|--------------------------------|--------------------------------|-------------------------------|---|-------------------------------|-------------------------------|---|-----|
| B90, B110, B150, B200 | 13 ⁷ / ₈ | 11 ¹ / ₂ | 8 ¹ / ₈ | 6 | 1 ¹ / ₄ | 1 ¹ / ₂ | 14 ³ / ₄ x 12 ³ / ₄ | 10 |

For complete dimensional information, see submittal drawings.

FAN LEGEND:

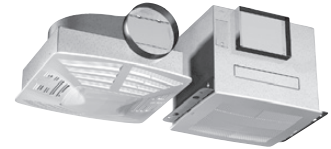
- SP-A50**] — Nominal CFM at 0.10 inches static pressure
- Level of Construction
- A - Premium; Lowest Sound, Insulated Housing
 - B - Deluxe Unit; Low Sound, Low Profile
 - C - Standard Unit; Lowest Profile, Less Expensive
- Model
- SP - Silent Partner
 - CSP - Cabinet Silent Partner

SP A110-A780 - Greenheck Ceiling Exhaust Fans

(available Edmonton & Calgary)

Performance Data

| Model | RPM | Amps | Watts (Input) | CFM / Static Pressure in inches of W.G. | | | | | | | | |
|---------|------|------|---------------|---|-------|-------|-------|-------|-------|-------|-------|-----|
| | | | | 0.000 | 0.100 | 0.125 | 0.250 | 0.375 | 0.500 | 0.625 | 0.750 | |
| SP-A110 | 950 | 0.58 | 49 | CFM | 119 | 110 | 106 | 88 | — | — | — | — |
| | | | | Sones | 1.3 | 1.2 | 1.2 | 1.6 | — | — | — | — |
| SP-A125 | 1100 | 0.62 | 53 | CFM | 135 | 123 | 121 | 104 | — | — | — | — |
| | | | | Sones | 1.4 | 1.7 | 1.8 | 1.9 | — | — | — | — |
| SP-A190 | 1400 | 1.30 | 113 | CFM | 216 | 197 | 192 | 167 | 133 | — | — | — |
| | | | | Sones | 3.2 | 2.8 | 2.9 | 3.1 | 3.4 | — | — | — |
| SP-A250 | 1000 | 0.77 | 83 | CFM | 272 | 251 | 246 | 227 | 210 | 185 | 157 | 119 |
| | | | | Sones | 2.9 | 3.0 | 3.0 | 3.4 | 4.4 | 4.6 | 4.9 | 5.2 |
| SP-A290 | 1050 | 0.72 | 81 | CFM | 315 | 293 | 287 | 257 | 231 | 207 | 175 | 124 |
| | | | | Sones | 3.2 | 3.3 | 3.3 | 3.6 | 3.9 | 4.1 | 4.5 | 5.5 |
| SP-A390 | 1350 | 1.34 | 135 | CFM | 410 | 395 | 391 | 368 | 345 | 325 | 307 | 279 |
| | | | | Sones | 5.4 | 5.4 | 5.4 | 5.7 | 6.0 | 6.3 | 6.4 | 6.7 |
| SP-A410 | 1000 | 1.74 | 121 | CFM | 443 | 413 | 405 | 351 | 305 | 109 | — | — |
| | | | | Sones | 4.1 | 3.8 | 3.7 | 3.7 | 4.3 | 3.7 | — | — |
| SP-A510 | 1070 | 3.30 | 224 | CFM | 557 | 512 | 501 | 439 | 392 | 325 | — | — |
| | | | | Sones | 6.0 | 5.7 | 5.6 | 5.5 | 5.4 | 4.7 | — | — |
| SP-A710 | 1080 | 4.40 | 285 | CFM | 752 | 714 | 701 | 653 | 588 | 485 | 320 | — |
| | | | | Sones | 7.4 | 7.2 | 7.2 | 7.0 | 6.8 | 6.7 | 6.5 | — |

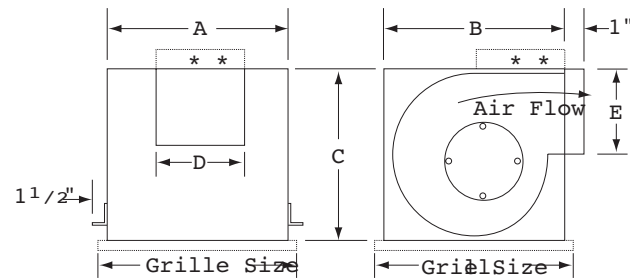


Greenheck Ceiling Exhaust Fans



Dimensional Data

| Model | A | B | C | D | E | Grille Size | Wt. |
|------------------------------------|--------------------------------|--------------------------------|--------------------------------|----|---|---|-----|
| A110, A125, A190, A250, A290, A390 | 13 ¹ / ₄ | 10 ⁵ / ₈ | 10 ¹ / ₂ | 8 | 6 | 14 ³ / ₄ x 12 ³ / ₄ | 15 |
| A410, A510 | 18 | 14 ³ / ₈ | 14 ¹ / ₂ | 8 | 8 | 19 ³ / ₈ x 16 ³ / ₈ | 31 |
| A710 | 18 | 14 ³ / ₈ | 14 ¹ / ₂ | 10 | 8 | 19 ³ / ₈ x 16 ³ / ₈ | 34 |



**Optional Discharge Position

For complete dimensional information, see submittal drawings.

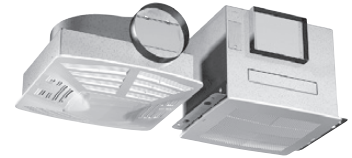
SP A900 - A1550 - Greenheck Ceiling Exhaust Fans

(available Edmonton & Calgary)



Performance Data - For performance notes, see page 18

| Model | RPM | Amps | Watts (Input) | CFM / Static Pressure in inches of W.G. | | | | | | | | |
|----------|------|------|---------------|---|-------|-------|-------|-------|-------|-------|-------|------|
| | | | | 0.000 | 0.100 | 0.125 | 0.250 | 0.375 | 0.500 | 0.625 | 0.750 | |
| SP-A900 | 950 | 4.00 | 285 | CFM | 955 | 907 | 896 | 841 | 773 | 701 | — | — |
| | | | | Sones | 5.2 | 5.7 | 5.8 | 6.1 | 6.2 | 6.2 | — | — |
| SP-A1050 | 1095 | 6.30 | 420 | CFM | 1125 | 1058 | 1043 | 964 | 885 | 796 | 662 | — |
| | | | | Sones | 7.2 | 7.0 | 6.9 | 6.8 | 6.6 | 6.5 | 6.4 | — |
| SP-A1410 | 1450 | 7.40 | 786 | CFM | 1455 | 1414 | 1404 | 1353 | 1307 | 1262 | 1218 | 1174 |
| | | | | Sones | 11.6 | 11.6 | 11.7 | 11.6 | 11.5 | 11.6 | 11.6 | 11.6 |
| SP-A1550 | 1610 | 8.60 | 818 | CFM | 1607 | 1568 | 1558 | 1506 | 1449 | 1407 | 1369 | 1323 |
| | | | | Sones | 12.4 | 12.1 | 12.0 | 12.0 | 11.9 | 12.8 | 14.1 | 15.9 |



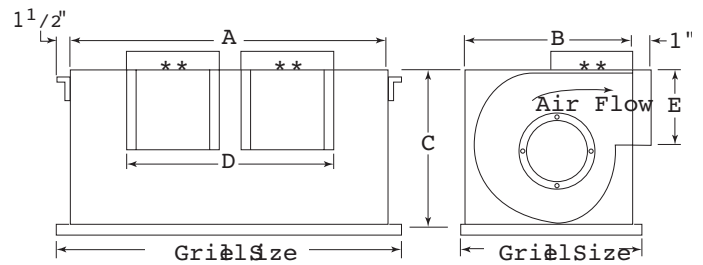
Greenheck Ceiling Exhaust Fans

Dimensional Data

| Model | A | B | C | D | E | Grille Size | Wt. |
|---------------------------|--------------------------------|--------------------------------|--------------------------------|--------------------------------|---|-------------------------------------|-----|
| A900, A1050, A1410, A1550 | 23 ³ / ₄ | 14 ³ / ₈ | 14 ¹ / ₂ | 18 ³ / ₄ | 8 | 25 x 16 ³ / ₈ | 56 |

For complete dimensional information, see submittal drawings.

**Optional Discharge Position



**Optional Discharge Position

CSP A110 - A780 - Greenheck Ceiling Exhaust Fans

(available Edmonton & Calgary)



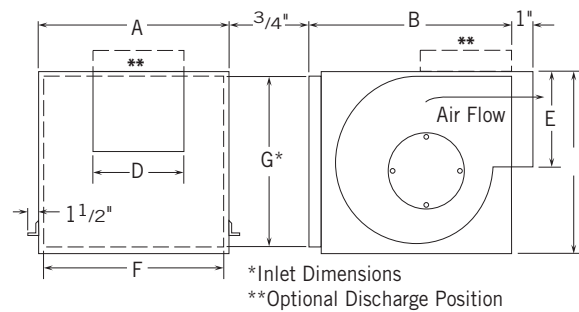
Performance Data

| Model | RPM | Amps | Watts (Input) | CFM / Static Pressure in inches of W.G. | | | | | | | | |
|----------|------|------|---------------|---|-------|-------|-------|-------|-------|-------|-------|-----|
| | | | | 0.000 | 0.100 | 0.125 | 0.250 | 0.375 | 0.500 | 0.625 | 0.750 | |
| CSP-A110 | 950 | 0.62 | 51 | CFM | 125 | 110 | 102 | 77 | — | — | — | — |
| | | | | Sones | 1.1 | 1.1 | 1.3 | 1.3 | — | — | — | — |
| CSP-A190 | 1400 | 1.10 | 100 | CFM | 215 | 202 | 198 | 180 | 159 | — | — | — |
| | | | | Sones | 2.3 | 2.0 | 2.2 | 2.7 | 2.9 | — | — | — |
| CSP-A200 | 900 | 0.43 | 48 | CFM | 254 | 230 | 225 | 203 | 177 | 145 | 109 | 70 |
| | | | | Sones | 0.8 | 0.7 | 0.8 | 1.3 | 1.5 | 1.9 | 2.2 | 2.1 |
| CSP-A250 | 1000 | 0.79 | 83 | CFM | 266 | 246 | 241 | 221 | 205 | 187 | 165 | 132 |
| | | | | Sones | 1.3 | 1.5 | 1.5 | 2.3 | 3.3 | 3.4 | 3.2 | 3.0 |
| CSP-A290 | 1050 | 0.71 | 80 | CFM | 318 | 299 | 292 | 265 | 248 | 229 | 201 | 144 |
| | | | | Sones | 1.6 | 1.7 | 1.8 | 2.6 | 3.3 | 4.0 | 3.7 | 3.4 |
| CSP-A390 | 1350 | 1.33 | 144 | CFM | 412 | 400 | 397 | 382 | 363 | 339 | 324 | 309 |
| | | | | Sones | 2.8 | 2.7 | 2.8 | 3.2 | 3.7 | 4.7 | 5.5 | 6.5 |
| CSP-A410 | 1000 | 1.87 | 139 | CFM | 447 | 411 | 403 | 364 | 316 | 217 | — | — |
| | | | | Sones | 2.2 | 2.1 | 2.2 | 2.5 | 2.7 | 2.7 | — | — |
| CSP-A510 | 1070 | 3.11 | 217 | CFM | 545 | 514 | 506 | 464 | 405 | 324 | — | — |
| | | | | Sones | 3.1 | 2.9 | 2.8 | 2.8 | 2.7 | 3.1 | — | — |
| CSP-A710 | 1080 | 4.40 | 325 | CFM | 737 | 698 | 688 | 635 | 566 | 474 | 334 | — |
| | | | | Sones | 3.2 | 3.3 | 3.2 | 3.3 | 2.7 | 2.5 | 2.7 | — |
| CSP-A780 | 1600 | 3.77 | 405 | CFM | 813 | 783 | 776 | 741 | 707 | 671 | 637 | 603 |

Dimensional Data

| Model | A | B | C | D | E | Grille Size | Wt. |
|------------------|-------------------|-------------------|-------------------|----|---|---------------------------------------|-----|
| A190 | 13 ^{1/4} | 10 ^{5/8} | 10 ^{1/2} | 8 | 6 | 14 ^{3/4} x 12 ^{3/4} | 16 |
| A250, A290, A390 | 14 | 11 ^{7/8} | 11 ^{1/4} | 8 | 8 | 14 ^{3/4} x 12 ^{3/4} | 23 |
| A410, A510 | 18 | 14 ^{3/8} | 14 ^{1/2} | 8 | 8 | 19 ^{3/8} x 16 ^{3/8} | 36 |
| A710, A780 | 18 | 14 ^{3/8} | 14 ^{1/2} | 10 | 8 | 19 ^{3/8} x 16 ^{3/8} | 36 |

For complete dimensional information, see submittal drawings.





Performance Data

| Model | RPM | Amps | Watts (Input) | CFM / Static Pressure in inches of W.G. | | | | | | | | |
|-----------|------|------|---------------|---|-------|-------|-------|-------|-------|-------|-------|------|
| | | | | 0.000 | 0.100 | 0.125 | 0.250 | 0.375 | 0.500 | 0.625 | 0.750 | |
| CSP-A900 | 950 | 4.87 | 328 | CFM | 908 | 852 | 840 | 782 | 714 | 631 | — | — |
| | | | | Sones | 3.7 | 3.8 | 3.8 | 4.0 | 4.0 | 4.1 | — | — |
| CSP-A1050 | 1095 | 6.65 | 455 | CFM | 1182 | 110 | 1093 | 1013 | 922 | 832 | 743 | — |
| | | | | Sones | 6.3 | 6.1 | 5.9 | 5.8 | 6.0 | 6.0 | 5.5 | — |
| CSP-A1410 | 1450 | 7.80 | 822 | CFM | 1584 | 1543 | 1533 | 1483 | 1439 | 1395 | 1345 | 1293 |
| | | | | Sones | 6.3 | 6.2 | 6.2 | 6.3 | 6.5 | 6.8 | 7.2 | 7.6 |
| CSP-A1550 | 1610 | 8.32 | 830 | CFM | 1672 | 1617 | 1604 | 1542 | 1484 | 1427 | 1367 | 1306 |
| | | | | Sones | 8.6 | 8.2 | 8.5 | 8.4 | 8.5 | 8.5 | 8.5 | 8.5 |
| CSP-A1750 | 1130 | 6.60 | 550 | CFM | 1842 | 1767 | 1749 | 1619 | 1463 | 1283 | 1032 | 771 |

Performance Notes:

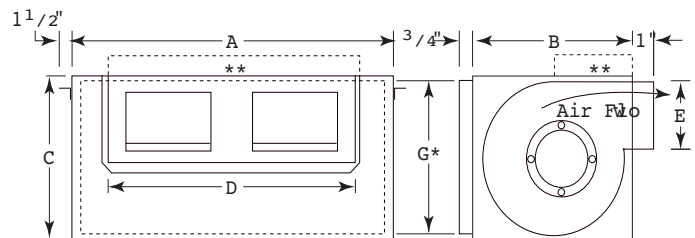
Performance shown is for Model CSP inline installation type B: free inlet, ducted outlet. Performance ratings include the effects of an inlet duct and backdraft damper in the airstream. Speed (RPM) shown is nominal. Performance is based on actual speed of test.

The sound ratings shown are loudness values in fan sones at 5 ft. (1.5m) in a hemispherical free field calculated per AMCA Standard 301. Values are for installation type B: free inlet sone levels. The AMCA Certified Ratings Sound Seal applies to sone ratings only.

Dimensional Data

| Model | A | B | C | D | E | F | G | Wt. |
|--------------|-------------------|-------------------|-------------------|-------------------|---|-------------------|-------------------|-----|
| A900,A1050 | 23 ^{3/4} | 14 ^{3/8} | 14 ^{1/2} | 18 ^{3/4} | 8 | 22 ^{5/8} | 13 ^{1/4} | 5 9 |
| A1410, A1550 | | | | | | | | |
| A1750 | 35 | 14 ^{3/4} | 14 ^{3/4} | 28 | 6 | 32 ^{3/4} | 13 | 68 |

For complete dimensional information, see submittal drawings.

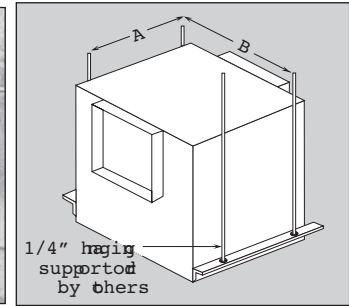
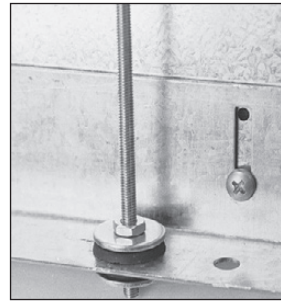


*Inlet Dimensions **Optional Discharge Position

Hanging Vibration Isolators (CK)

Vibration isolator kits are available for suspended installations. Kits include all hardware necessary to mount one unit, with the exception of 1/4" threaded rod supplied by others. Fan mounting brackets include pre-punched holes for ease of installation.

| | Unit Sizes | | | | | |
|---|-------------------|-------------------|-------------------|-------------------|-------------------|-------------------|
| | B110-200 | A110-190 | A250-390 | A410-780 | A900-1500 | A1750 |
| A | 4 ^{1/2} | 5 ^{1/2} | 6 ^{3/4} | 9 ^{1/4} | 9 ^{1/4} | 9 ^{1/4} |
| B | 11 ^{5/8} | 14 ^{5/8} | 15 ^{1/2} | 19 ^{5/8} | 25 ^{3/8} | 36 ^{3/4} |



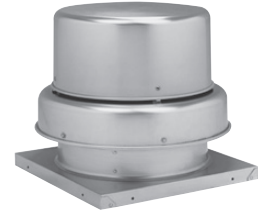
MODEL GB - Belt Drive Centrifugal Roof Exhausters

(available Edmonton & Calgary)



Dimensions (inches)

| Model | A | B | C* | WD-100 Damper | Roof Opening |
|------------------|----|--------------------------------|--------------------------------|---------------|--------------------------------|
| GB-071, 081, 091 | 19 | 21 ³ / ₈ | 20 ³ / ₄ | 12 | 12 ¹ / ₂ |
| GB-101, 121 | 19 | 24 ³ / ₈ | 23 ³ / ₄ | 12 | 14 ¹ / ₂ |
| †GB-131 | 19 | 28 ³ / ₈ | 23 ³ / ₄ | 12 | 18 ¹ / ₂ |
| GB-141 | 22 | 28 ³ / ₈ | 23 ³ / ₄ | 16 | 18 ¹ / ₂ |
| GB-161 | 22 | 28 ³ / ₈ | 23 ³ / ₄ | 16 | 18 ¹ / ₂ |
| †GB-180 | 30 | 35 ¹ / ₂ | 28 | 18 | 20 ¹ / ₂ |
| †GB-200 | 34 | 42 ³ / ₄ | 31 ¹ / ₂ | 24 | 26 ¹ / ₂ |



Greenheck Roof Exhausters

Model GB

Model GB belt drive exhausters are designed for roof mounted applications exhausting relatively clean air. They feature a spun aluminum housing and non-overloading backward inclined wheel. Motors are located out of the airstream with positive cooling by ambient air. Model GB fans are licensed to bear the AMCA Certified Ratings Seals for air and sound performance and are U.L. Listed and CSA certified. Units complete with birdscreen, Disconnect switch.

Accessories

- Roof curbs. See page 35.
- Backdraft damper. Model WD-100, gravity or motorized. See page 44.

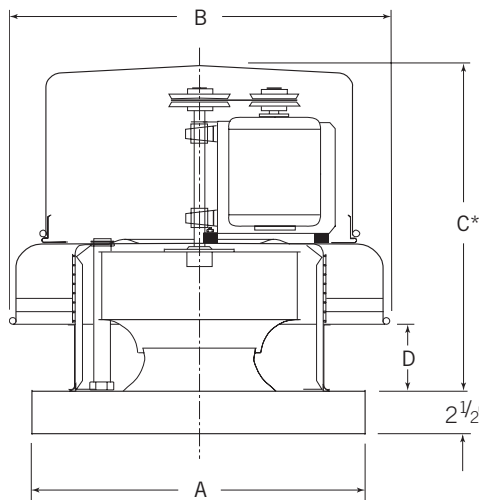
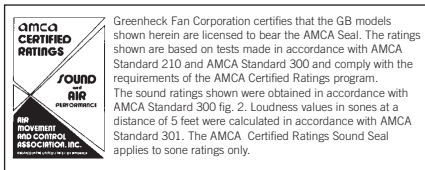
Dampers Available

- 10 x 10 Damper
- 12 x 12 Damper
- 16 x 16 Damper
- 18 x 18 Damper
- 24 x 24 Damper

GPI's Available

- 17
- 19
- 22
- 30
- 34

*May vary depending on motor size
 †Units stocked less motors, drives and disconnects.
 Contact your Price Rep for available Motor / Drive options.



MODEL GB - Belt Drive Centrifugal Roof Exhausters

(available Edmonton & Calgary)



Performance Data

| Model | HP | Range | RPM | TS | Sones | Max BHP | Performance in Inches WG | | | | | | | |
|----------|-----|--------|------|------|-------|---------|--------------------------|-------|------|-------|------|------|------|------|
| | | | | | | | 0 | 0.125 | 0.25 | 0.375 | 0.5 | 0.75 | 1 | 1.25 |
| GB-081-4 | 1/4 | R1 | 630 | 1845 | 2.4 | 0.009 | 316 | 207 | | | | | | |
| | | R1, R2 | 939 | 2750 | 4.7 | 0.031 | 470 | 404 | 330 | | | | | |
| | | R2, R3 | 1247 | 3652 | 7.6 | 0.073 | 625 | 575 | 525 | 470 | 403 | | | |
| | | R3 | 1556 | 4558 | 10.8 | 0.14 | 779 | 740 | 700 | 660 | 615 | 517 | 120 | |
| | | R3 | 1710 | 5009 | 12.5 | 0.19 | 856 | 821 | 785 | 748 | 710 | 630 | 511 | 424 |
| GB-091-4 | 1/4 | R1 | 630 | 1845 | 2.9 | 0.013 | 477 | 309 | | | | | | |
| | | R1, R2 | 939 | 2750 | 5.7 | 0.042 | 711 | 606 | 490 | | | | | |
| | | R2, R3 | 1247 | 3652 | 9.2 | 0.098 | 945 | 866 | 785 | 698 | 604 | | | |
| | | R3 | 1556 | 4558 | 11.8 | 0.19 | 1179 | 1116 | 1052 | 988 | 919 | 772 | 504 | |
| | | R3 | 1710 | 5009 | 13.4 | 0.25 | 1296 | 1238 | 1180 | 1122 | 1062 | 934 | 785 | 685 |
| GB-101-4 | 1/4 | | 830 | 2417 | 4.5 | 0.033 | 703 | 593 | 420 | | | | | |
| | | R3 | 1165 | 3393 | 6.8 | 0.091 | 987 | 905 | 830 | 731 | 578 | | | |
| | | R3, R4 | 1400 | 4077 | 8.9 | 0.16 | 1186 | 1117 | 1051 | 989 | 909 | 810 | 633 | |
| | | R4 | 1635 | 4761 | 11.1 | 0.25 | 1385 | 1325 | 1269 | 1214 | 1161 | 1094 | 1019 | 792 |
| | 1/3 | R4 | 1800 | 5242 | 13.2 | 0.33 | 1525 | 1471 | 1418 | 1367 | 1320 | 1270 | 1208 | 1064 |
| GB-121-4 | 1/4 | | 595 | 2035 | 3.3 | 0.021 | 722 | 542 | | | | | | |
| | | | 820 | 2804 | 5.2 | 0.054 | 995 | 877 | 728 | | | | | |
| | | | 1045 | 3574 | 7.3 | 0.111 | 1268 | 1177 | 1078 | 962 | 805 | | | |
| | | | 1395 | 4770 | 12.5 | 0.25 | 1692 | 1625 | 1557 | 1484 | 1404 | 1315 | 1214 | 907 |
| | 1/3 | | 1550 | 5300 | 14.6 | 0.33 | 1880 | 1820 | 1759 | 1696 | 1629 | 1555 | 1475 | 1289 |
| 1/2 | | 1725 | 5899 | 17.4 | 0.5 | 2093 | 2038 | 1984 | 1928 | 1871 | 1810 | 1743 | 1600 | |
| GB-131 | 1/4 | | 540 | 1856 | 4.2 | 0.018 | 766 | 540 | | | | | | |
| | | | 720 | 2474 | 5.4 | 0.043 | 1022 | 879 | 650 | | | | | |
| | | | 960 | 3299 | 7.6 | 0.103 | 1362 | 1262 | 1144 | 990 | | | | |
| | | | 1315 | 4518 | 13.2 | 0.26 | 1866 | 1794 | 1718 | 1637 | 1545 | 1435 | 1305 | |
| | 1/3 | | 1440 | 4948 | 15 | 0.35 | 2044 | 1978 | 1911 | 1838 | 1759 | 1674 | 1571 | 1299 |
| | 1/2 | | 1685 | 5790 | 16.9 | 0.56 | 2391 | 2335 | 2279 | 2219 | 2158 | 2093 | 2020 | 1857 |
| GB-141-5 | 1/4 | | 450 | 1722 | 3.9 | 0.017 | 834 | 426 | | | | | | |
| | | | 710 | 2718 | 5.7 | 0.074 | 1317 | 1147 | 908 | | | | | |
| | | | 920 | 3522 | 7.7 | 0.16 | 1706 | 1576 | 1439 | 1258 | 961 | | | |
| | | | 1075 | 4115 | 10 | 0.26 | 1994 | 1881 | 1771 | 1646 | 1489 | 1256 | | |
| | 1/3 | | 1170 | 4479 | 11.4 | 0.34 | 2170 | 2066 | 1966 | 1858 | 1733 | 1574 | 1355 | |
| | 1/2 | | 1360 | 5207 | 14.6 | 0.53 | 2522 | 2433 | 2346 | 2258 | 2166 | 2062 | 1942 | 1602 |
| | 3/4 | | 1545 | 5915 | 17.6 | 0.78 | 2866 | 2787 | 2709 | 2634 | 2556 | 2475 | 2384 | 2176 |
| | 1 | | 1705 | 6528 | 20 | 1.03 | 3163 | 3091 | 3020 | 2952 | 2883 | 2811 | 2739 | 2574 |

MODEL GB - Belt Drive Centrifugal Roof Exhausters

(available Edmonton & Calgary)



Performance Data (cont'd)

| Model | HP | Range | RPM | TS | Sones | Max BHP | Performance in Inches WG | | | | | | | |
|-------------|-------|-------|------|------|-------|---------|--------------------------|-------|------|-------|------|-------|------|------|
| | | | | | | | 0 | 0.125 | 0.25 | 0.375 | 0.5 | 0.625 | 0.75 | 1 |
| GB-161-5 | 1/4 | | 425 | 1849 | 4.2 | 0.029 | 1255 | 770 | | | | | | |
| | | | 625 | 2720 | 6.4 | 0.097 | 1846 | 1574 | 1221 | | | | | |
| | | | 865 | 3764 | 10.6 | 0.26 | 2555 | 2359 | 2162 | 1932 | 1624 | | | |
| | 1/3 | | 945 | 4113 | 12.6 | 0.34 | 2791 | 2612 | 2433 | 2236 | 2009 | 1692 | | |
| | 1/2 | | 1100 | 4787 | 15.3 | 0.53 | 3249 | 3094 | 2943 | 2786 | 2614 | 2428 | 2197 | |
| | 3/4 | | 1250 | 5440 | 17.9 | 0.79 | 3692 | 3556 | 3421 | 3288 | 3149 | 2997 | 2838 | |
| | 1 | | 1375 | 5984 | 21 | 1.05 | 4062 | 3938 | 3815 | 3694 | 3571 | 3444 | 3304 | 2073 |
| GB-180 LMDX | 1/4 | | 495 | 2397 | 4.3 | 0.078 | 1924 | 1645 | 1150 | | | | | |
| | | | 730 | 3535 | 7.4 | 0.26 | 2838 | 2667 | 2469 | 2212 | 1882 | | | |
| | 1/3 | | 810 | 3923 | 8.8 | 0.35 | 3149 | 2997 | 2832 | 2623 | 2375 | 2052 | | |
| | 1/2 | | 940 | 4552 | 12.7 | 0.55 | 3655 | 3526 | 3387 | 3234 | 3052 | 2843 | 2600 | |
| | 3/4 | | 1055 | 5109 | 16.2 | 0.77 | 4102 | 3989 | 3866 | 3741 | 3596 | 3432 | 3251 | 2811 |
| | 1 | | 1185 | 5739 | 19 | 1.1 | 4607 | 4507 | 4400 | 4290 | 4179 | 4045 | 3900 | 3575 |
| | 1 1/2 | | 1335 | 6465 | 22 | 1.54 | 5191 | 5102 | 5010 | 4912 | 4814 | 4715 | 4599 | 4343 |
| | 2 | | 1460 | 7071 | 26 | 1.97 | 5677 | 5595 | 5514 | 5424 | 5335 | 5245 | 5155 | 4938 |
| GB-200 LMDX | 1/4 | | 440 | 2462 | 6.5 | 0.103 | 2434 | 1975 | | | | | | |
| | | | 600 | 3357 | 8.5 | 0.26 | 3320 | 2984 | 2637 | 2088 | | | | |
| | 1/3 | | 665 | 3721 | 9.6 | 0.35 | 3679 | 3378 | 3084 | 2705 | 2087 | | | |
| | 1/2 | | 770 | 4308 | 12.1 | 0.55 | 4260 | 4013 | 3744 | 3477 | 3140 | 2643 | | |
| | 3/4 | | 860 | 4812 | 14.1 | 0.77 | 4759 | 4548 | 4289 | 4068 | 3810 | 3504 | 3085 | |
| | 1 | | 965 | 5400 | 16.7 | 1.09 | 5340 | 5157 | 4927 | 4719 | 4519 | 4285 | 4015 | 3239 |
| | 1 1/2 | | 1090 | 6099 | 20 | 1.57 | 6031 | 5870 | 5681 | 5473 | 5301 | 5123 | 4924 | 4449 |
| | 2 | | 1200 | 6715 | 24 | 2.09 | 6640 | 6493 | 6336 | 6144 | 5968 | 5812 | 5650 | 5274 |

MODEL CUBE - Centrifugal Roof Exhausters Belt Drive, Upblast

(available Edmonton & Calgary)

cUL762 Approved for "Power Vent for Restaurant Appliances"



Performance Data

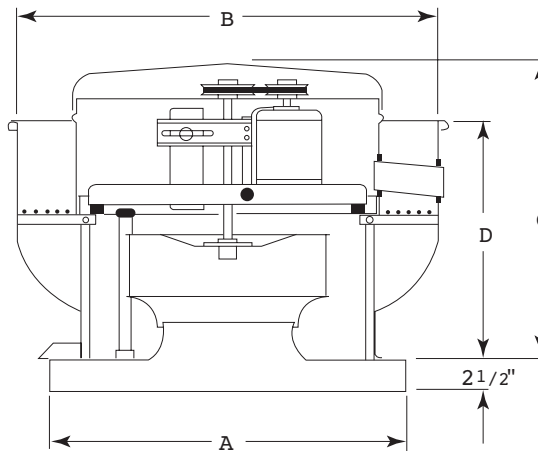
| Model | HP | RPM | TS | Static Pressure / Capacity | | | | | | | | | | | | | | | | | |
|--------------|-----|------|------|----------------------------|-------------------|-------------------|-------------------|-------------------|-------------------|-------------------|-------------------|-------------------|-------|------|------|------|------|------|------|------|------|
| | | | | 0.000 Sone BHP | 0.125 Sone BHP | 0.250 Sone BHP | 0.375 Sone BHP | 0.500 Sone BHP | 0.625 Sone BHP | 0.750 Sone BHP | 0.875 Sone BHP | 1.000 Sone BHP | | | | | | | | | |
| CUBE-101-4 | 1/4 | 1205 | 3509 | 1025 | 957 | 872 | 782 | 661 | | | | | | | | | | | | | |
| | | | | 77.7 | 0.082 | 7.6 | 0.091 | 7.1 | 0.097 | 6.5 | 0.100 | 6.2 | 0.100 | | | | | | | | |
| | | 1455 | 4237 | 1238 | 1182 | 1118 | 1047 | 973 | 893 | 775 | | | | | | | | | | | |
| | | | | 10.4 | 0.15 | 10.3 | 0.16 | 10.0 | 0.16 | 9.6 | 0.17 | 9.1 | 0.18 | 8.4 | 0.18 | 8.1 | 0.17 | | | | |
| | | 1660 | 4834 | 1413 | 1364 | 1313 | 1251 | 1189 | 1125 | 1055 | 974 | 860 | | | | | | | | | |
| | | | | 12.7 | 0.22 | 12.3 | 0.23 | 12.0 | 0.24 | 11.6 | 0.25 | 11.3 | 0.26 | 10.8 | 0.26 | 10.2 | 0.26 | 9.6 | 0.26 | 9.4 | 0.25 |
| CUBE-121-LMD | 1/2 | 1250 | 4786 | 2264 | 2182 | 2086 | 1981 | 1865 | 1731 | 1570 | 1348 | | | | | | | | | | |
| | | | | 12.7 | 0.33 | 12.7 | 0.34 | 12.1 | 0.36 | 12.1 | 0.37 | 11.7 | 0.37 | 11.3 | 0.38 | 11.4 | 0.38 | 11.2 | 0.36 | | |
| | | 1390 | 5322 | 2517 | 2445 | 2361 | 2270 | 2173 | 2068 | 1949 | 1817 | 1642 | | | | | | | | | |
| | | | | 14.9 | 0.45 | 14.7 | 0.47 | 14.2 | 0.48 | 13.2 | 0.50 | 12.9 | 0.51 | 12.5 | 0.51 | 12.1 | 0.52 | 11.4 | 0.52 | 11.0 | 0.51 |
| CUBE-141-5 | 1/2 | 1250 | 4786 | 2264 | 2182 | 2086 | 1981 | 1865 | 1731 | 1570 | 1348 | | | | | | | | | | |
| | | | | 12.7 | 0.33 | 12.7 | 0.34 | 12.1 | 0.36 | 12.1 | 0.37 | 11.7 | 0.37 | 11.3 | 0.38 | 11.4 | 0.38 | 11.2 | 0.36 | | |
| | | 1390 | 5322 | 2517 | 2445 | 2361 | 2270 | 2173 | 2068 | 1949 | 1817 | 1642 | | | | | | | | | |
| | | | | 14.9 | 0.45 | 14.7 | 0.47 | 14.2 | 0.48 | 13.2 | 0.50 | 12.9 | 0.51 | 12.5 | 0.51 | 12.1 | 0.52 | 11.4 | 0.52 | 11.0 | 0.51 |
| CUBE-180-LMD | 3/4 | 1010 | 891 | 3815 | 3664 | 3525 | 3402 | 3241 | 3013 | 2798 | 2513 | 2104 | | | | | | | | | |
| | | | | 15.4 | 0.56 | 15.2 | 0.58 | 14.9 | 0.61 | 14.9 | 0.63 | 14.7 | 0.65 | 14.0 | 0.65 | 13.7 | 0.64 | 12.6 | 0.62 | 11.8 | 0.58 |
| | | 1075 | 5206 | 4061 | 3919 | 3786 | 3666 | 3554 | 3344 | 3141 | 2926 | 2652 | | | | | | | | | |
| | | | | 16.5 | 0.67 | 16.2 | 0.70 | 15.8 | 0.73 | 15.7 | 0.75 | 15.5 | 0.78 | 15.1 | 0.78 | 14.7 | 0.78 | 14.2 | 0.77 | 13.3 | 0.75 |

Performance Notes:

1. Performance shown is for Model CUBE without ducts.
2. BHP does not include drive losses.

Dimensions (inches)

| Model | A | B | C | Roof Opening |
|----------|----|--------------------------------|--------------------------------|--------------------------------|
| CUBE-101 | 19 | 24 ⁷ / ₈ | 23 ³ / ₄ | 14 ¹ / ₂ |
| CUBE-121 | 19 | 24 ⁷ / ₈ | 23 ³ / ₄ | 14 ¹ / ₂ |
| CUBE-141 | 22 | 28 ⁷ / ₈ | 24 ³ / ₄ | 18 ¹ / ₂ |
| CUBE-180 | 30 | 35 ⁷ / ₈ | 28 ⁵ / ₈ | 20 ¹ / ₂ |
| CUBE-200 | 30 | 35 ⁵ / ₈ | 28 ⁵ / ₈ | 20 ¹ / ₂ |



Greenheck Roof Exhausters

Model CUBE

Model CUBE is designed for restaurant/commercial kitchen ventilation by exhausting hot and contaminated air up and away from the building.

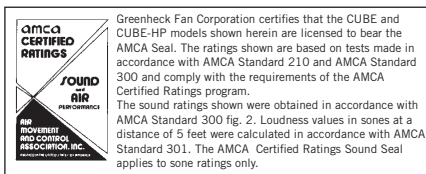
UL 762 listed for restaurant applications and operation up to 300°F (UL 762 includes UL 705 listing).

Stock Note (Model CUBE-101-4 and CUBE-141-5):

- The units listed are supplied with 115/60/1 motors installed.
- Units are supplied preset for maximum RPM and are field adjustable.

Stock Note (Model CUBE-180-LMD and CUBE-200):

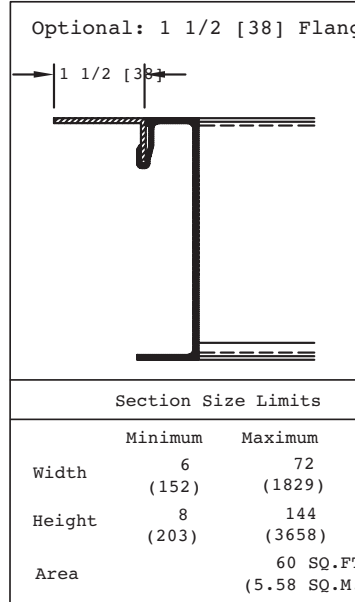
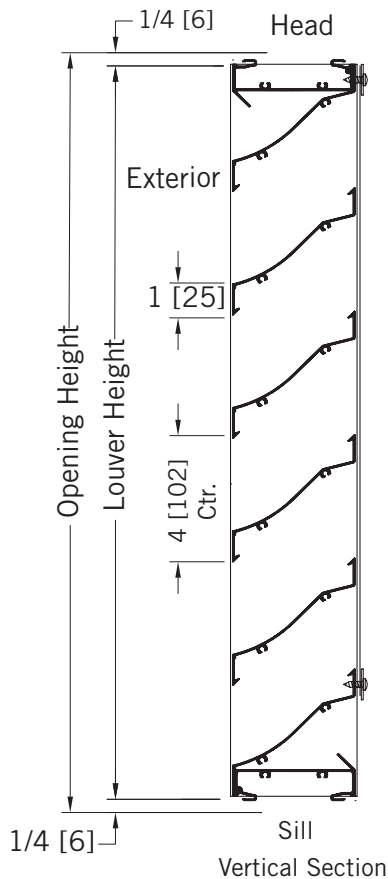
- For the unit listed, the motor and drive are not included.



MA609X - High Performance Louver

(available Edmonton only)

| | |
|------------------------------|-----------------------------------|
| Visible Mullion Louver Type: | MA609X |
| Material: | Extruded Aluminum (Alloy 6063-T6) |
| Stationary Blade: | .064" (1.6 mm) |
| Jambs: | .081" (2.0 mm) |
| Head and Sill: | .064" (1.6 mm) |
| Louver Depth: | 4" (102 mm) |
| Blade Angle: | 45° at center |
| Free Area - 4' x 4' Unit: | 9.37 sq.ft. (0.871 sq.m.) |
| Percent Free Area: | 58.6% |



Architectural Blade Louvers
4" (102 mm) Deep

Features:

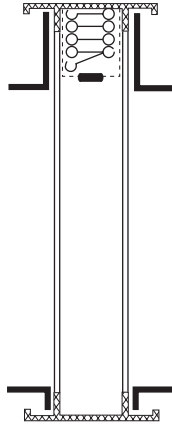
- Screw assembled construction: #10 x 1" plated steel screws.
- Constructed with 14 ga. reinforced aluminum blades.
- Nominal 59% free area (based on 48" x 48").
- Integral perimeter caulking stop.
- Optional 1.5" flanges available as add-ons.
- Optional bird screens available.
- Optional powder coat finish; allow extra week for delivery
- Quick delivery available

FIRE DAMPERS - Curtain Type

(available Edmonton only)

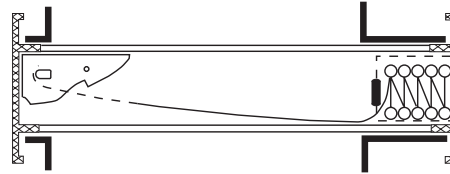
FD-VC
Round, Vertical, Out of the Airstream Fire Damper

| | |
|----|-----|
| 4" | 10" |
| 5" | 12" |
| 6" | 14" |
| 7" | 16" |
| 8" | |



FD-HC
Round, Horizontal, Out of the Airstream Fire Damper

| | | |
|----|-----|-----|
| 4" | 7" | 12" |
| 5" | 8" | 14" |
| 6" | 10" | 16" |

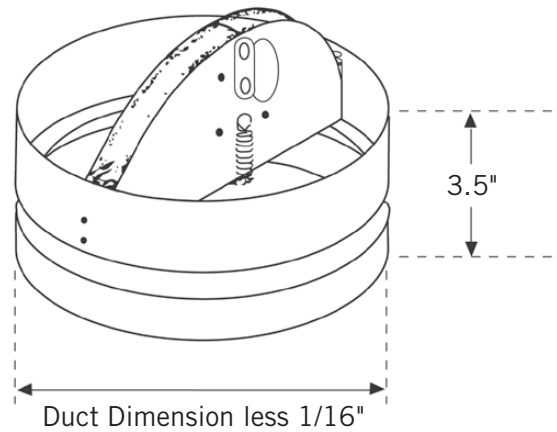


CDRD - Ceiling Fire Stop Flaps

(available Edmonton only)

Round Ceiling Dampers are available in two models, butterfly-type (non-asbestos) or the same with adjustable volume controller.

| Damper Size | Diameter | Height |
|-------------|----------|--------|
| 6 | 6 | 3.5 |
| 8 | 8 | 3.5 |
| 10 | 10 | 3.5 |
| 12 | 12 | 3.5 |
| 14 | 14 | 3.5 |

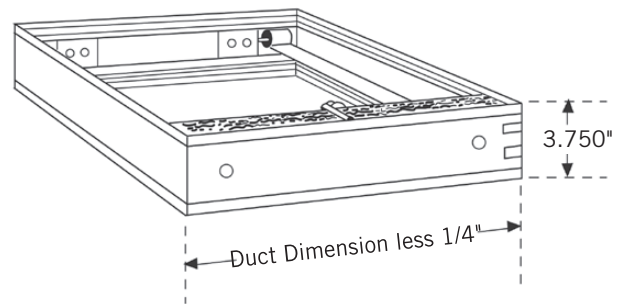


Ceiling Fire Stop Flaps

(available Edmonton only)

Square and Rectangular Ceiling Dampers are available in two models, square or rectangular, non-asbestos.

| Damper Size | Length | Width | Height |
|-------------|--------|-------|--------|
| 12 x 12 | 12 | 12 | 3.75 |
| 24 x 12 | 24 | 12 | 3.75 |
| 24 x 24 | 24 | 24 | 3.75 |

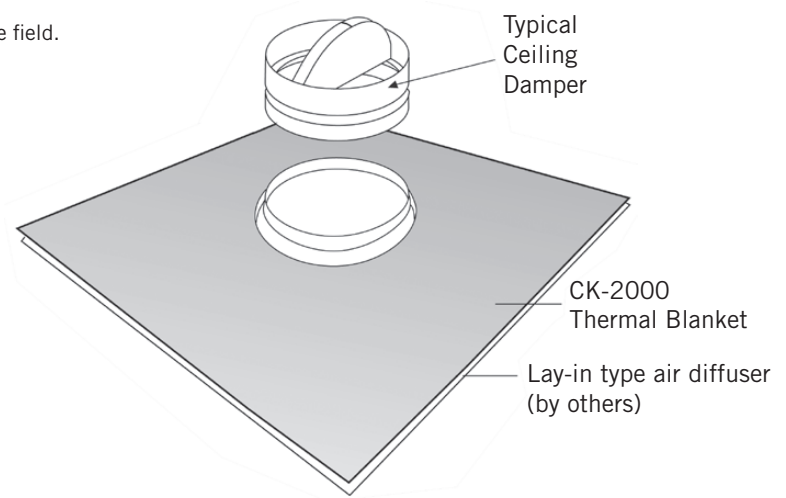


Thermal Blankets

(available Edmonton only)

Lightweight, non-asbestos fabric can be easily installed in the field.
Allows for ceiling openings larger than duct size.

| Thickness | Fan Model & Size |
|-----------|------------------|
| 1/8" | CK-200-1 |
| 1 1/4" | CK-2000-1-B |



BELIMO - Actuators

(available Edmonton only)

BELIMO ACTUATORS

Two Position, Spring Return Actuators

| |
|---------------------------|
| LF 120 (35 in-lb Torque) |
| NF 120 (60 in-lb Torque) |
| AF 120 (133 in-lb Torque) |
| LF 120-S (c/w END SWITCH) |
| NF 120-S (c/w END SWITCH) |
| AF 120-S (c/w END SWITCH) |



BELIMO ACTUATORS

Modulating SPRV

| |
|---|
| LF24-SR-S (35 in-lb Torque) c/w END SWITCH |
| NF24-SR-S (60 in-lb Torque) c/w END SWITCH |
| AF24-MFT-S (133 in-lb Torque) c/w END SWITCH |



Danfoss Thermostatic Valves

(available Edmonton only)

Temperature Regulator

Models - 7232, 7252, 7272, 8232, 8252, 8272

- for water or oil
- self-acting
- can be fitted in supply or return
- maximum supply temperature of 266°F (130°C)

Brass Well

Models - 3N0051

Protects sensing element from fluid

Stainless Steel Well

Models - 3N0053

Protects sensing element from fluid, for corrosive applications.

Spare Parts**Power Element**Model - 3N40062, 3N0075, BN0078
- 3N4008**Selector Knob**

Model - 3N400332

Repair KitModel - 3N4007
- 3N4008

Honeywell/Vulcain Products

301MQ2CO
301MQ2CO-N02
VA201TA-50
VA201TQI-N02
VA201TCO-Q2
VA201C
VA201CACCO/N02 Gas Detection Systems
*other gases available on special order
- Refrigeration
- Methane
- Propane
- Ammonia
- Etc

Banvil Ceiling Circulation Fans

Edmonton Only



Ceiling Circulation Fans

- White finish
- Downblowing
- Cord & 3 Prong Plug



| Model | Size | CFM | Area | Velocity | Volts | Amps | R.P.M. | Weight |
|--------|------|--------|-------------|----------|-------|------|--------|---------|
| 60F-7 | 56" | 27,500 | 1,800sq. ft | 600 ft/m | 120 | 0.61 | 320 | 18.0 lb |
| 160F-7 | 56" | 34,500 | 2,100sq. ft | 650 ft/m | 120 | 0.64 | 350 | 24.0 lb |
| FP56-F | 56" | 22,000 | 1,700sq. ft | 600 ft/m | 110 | 0.20 | 300 | 26.0 lb |
| FP36 | 36" | 10,500 | 700sq. ft | 600 ft/m | 110 | 0.35 | 290 | 17.0 lb |

Banvil - Speed Controllers



100P

2.5 A, 120V, Variable Speed



105F

5A Control

Dwyer Products


**Slack-Tube
Manometer**

Models-1211-8, -12,-16,-24,-30,-36,-48,-60,-72

Features: Dwyer Slack-Tube is made to roll up compactly for easy carrying & to withstand rough usage.

Pilot Tube

Models - # 160-8, -12, -18, -24, -36, -48, -60

Features: Ideal use with Dwyer manometers and air velocity gauges, Dwyer Pilot Tubes are constructed from corrosion resistant stainless steel.

Manometers Mark II

Models - #25 & 26

Features: The curved inclined vertical tube provides higher ranges with more easily to read increments at the low readings range.

Gauge Connectors

Model – A315 (*Shut-off type, for 3/16 tubing*)

Model – A316 (*Bushing, 1/8" pipe thread opening*)

Pressure Switches

Models: 1638-0, 1638-1

(*Large Diaphragm pressure switches*)

Models: 1640-1, 1640-2

(*Floating contact null switch for high and low actuation*)

Models: 1823-0, 1823-1, 1823-10, 1823-2, 1823-20, 1823-5

(*Low differential pressure switches for general industrial service*)

Models: 1910-0, 1910-00, 1910-1

(*Compact low differential pressure switches*)

Models: 1950-0, 1950-00

(*Explosion - proof differential pressure switches*)

Static Pressure Tips

Models: A301, A302

**Dual Scale
Manometer**

Model #1227

Features: One of the most versatile and useful low cost manometers.

Magnehelic Gauges

Models : 2000-0, -00, -00N

Models : 2001, 2002, 2003, 2004, 2005, 2006, 2008, 2010, 2015, 2020, 2025, 2030, 2040, 2050, 2080

Features: Frictionless Magnehelic movement, indicates low air or non-corrosive gas pressures – either positive or negative (vacuum) or differential.

Air Velocity Kit

Model # 400-10

Features: Has both inclined section for high accuracy and vertical section for extended range.

Air Meter

Model # 460

Features: Direct reading velocity and static pressure scales – both low and high ranges – show supply and return grille velocities, furnace draft, pressure drop across filters, etc.

Flow Switch

Model: 530

Features: Rugged die cast body, stainless steel vane and SPDT snap switch. Unit is field adjustable from 400 – 1600 FPM.

3-Way Vent Valve

Models: A310A

Line Voltage Thermostats

Edmonton Only



| Product Number | Description |
|----------------|--|
| OTL101C | Single-pole ST White |
| | Temperature range: 5°C (41°F) to 25°C (77°F) |
| | Rating: 19 amperes at 277 V 22 amperes at 240 V |

Models

| # Product | Qty | Volts | Watts | Weight (kg) | Weight (lbs) |
|-----------|-----|---------|-----------|-------------|--------------|
| OVS1002 | | 120 | 1000 | 4.1 | 9.0 |
| OVS1502 | | 120 | 1500 | 4.1 | 9.0 |
| OVS1000 | | 240/208 | 1000/750 | 4.1 | 9.0 |
| OVS2000 | | 240/208 | 2000-1500 | 4.1 | 9.0 |

Accessories

| # Product | Description | Qty |
|-----------|-------------------|-----|
| OVS-BS | Surface Mount Box | |

Standard models 900W/m (275W/ft)

| # Product | Qty | Volts | Watts | Weight (kg) | Weight (lbs) |
|-----------|-----|---------|-------|-------------|--------------|
| OFM0502 | | 120 | 500 | 2.5 | 5.5 |
| OFM0752 | | 120 | 750 | 3.3 | 7.3 |
| OFM1002 | | 120 | 1000 | 4.0 | 9.0 |
| OFM0508 | | 208 | 500 | 2.5 | 5.5 |
| OFM0758 | | 208 | 750 | 3.3 | 7.3 |
| OFM1008 | | 208 | 1000 | 4.0 | 9.0 |
| OFM1258 | | 208 | 1250 | 4.8 | 10.5 |
| OFM1508 | | 208 | 1500 | 5.5 | 12.0 |
| OFM1758 | | 208 | 1750 | 6.2 | 13.5 |
| OFM2008 | | 208 | 2000 | 6.8 | 15.0 |
| OFM1500 | | 240/208 | 1500 | 5.5 | 12.0 |
| OFM2250 | | 240/208 | *2250 | 7.5 | 16.5 |

Edmonton Only



Models

| # Product | Qty | Volts | Watts | Weight (kg) | Weight (lbs) |
|-----------|-----|---------|-----------|-------------|--------------|
| OACp4008 | | 208 | 4000 | 9.0 | 20.0 |
| OACp4000 | | 240/208 | 4000/3000 | 9.0 | 20.0 |
| OACp8000 | | 240/208 | 8000/6000 | 18.0 | 40.0 |

Accessories

| # Product | Description | | | Qty |
|------------|--|--|----------------|-----|
| OACp-T-BAR | Adaptor for installation in T-bar ceilings | 602 mm x 602 mm (23 3/4 in x 47 11/16 in) | 1500W to 4000W | |

Models

| # Product | Qty | Volts | Watts | Weight (kg) | Weight (lbs) |
|-----------|-----|---------|-----------|-------------|--------------|
| OAC04008 | | 208 | 4000 | 10.9 | 24.0 |
| OAC02000 | | 240/208 | 2000/1500 | 10.9 | 24.0 |
| OAC03000 | | 240/208 | 3000/2250 | 10.9 | 24.0 |
| OAC04000 | | 240/208 | 4000/3000 | 10.9 | 24.0 |

Accessories

| # Product | Description | | Length (mm) | Length (in) | Qty |
|-----------|----------------------|----------------|-------------|-------------|-----|
| OAC-BS1 | Surface mounting box | 1500W to 4800W | 410 | 16 1/8 | |
| OAC-BS2 | Surface mounting box | 6000W to 8000W | 822 | 32 13/16 | |

Standard Fans

Edmonton Only



| Model Number | Fan Size | Motor HP | Operation Speed | Fan RPM | Current Load Amps | | Input Watts | Airflow Capacity - CFM | | | | CFM Watts | Sound Level Decibel(A) | Framing Dimensions | Shipping Weight lbs |
|--------------|----------|----------|-----------------|---------------------|-------------------|-------|-------------|------------------------|-------------|-------------|-----------|-----------|------------------------|--------------------|---------------------|
| | | | | | @115V | @230V | | 0" S.P. | .10" S.P. | .125" S.P. | .25" S.P. | | | | |
| S12-E1 | 12" | 1/4 | Single | 1750 | 3.5 | - | 245 | 1640 | 1540 | 1510 | 1390 | 6.00 | 63 | 15" x 15" | 32 |
| S14-E1 | 14" | 1/4 | Single | 1740 | 3.6 | - | 257 | 2170 | 2070 | 2030 | 1860 | 8.05 | 67 | 17" x 17" | 30 |
| S16-E1 | 16" | 1/4 | Single | 1740 | 3.7 | - | 274 | 2370 | 2270 | 2210 | 2060 | 8.28 | 68 | 19" x 19" | 33 |
| S18-F1 | 18" | 1/3 | Single | 1735 | 4.8 | - | 448 | 3200 | 3090 | 3040 | 2920 | 6.89 | 73 | 21" x 21" | 37 |
| S20-F1 | 20" | 1/3 | Single | 1735 | 4.8 | - | 322 | 3420 | 3220 | 3170 | 2920 | 10.00 | 77 | 23" x 23" | 41 |
| SD24-F1 | 24" | 1/3 | Single | 1075 | 4.3 | - | 370 | 5000 | 4500 | 4300 | 3600 | 12.80 | 70 | 27" x 27" | 46 |
| SD24-GV | 24" | 1/2 | Variable | Max 1100 Min 310 | 4.2 | 2.1 | 290 | 5050 800 | 4940 710 | 4810 650 | 4400 - | 13.2 | 72 - | 27" x 27" | 56 |

Standard Fans

Available in Calgary & Edmonton



| Category | Image | Product Description | Pressure Rating | Color | Packaging |
|------------------------|-------|---|-----------------|-------|-------------------|
| Solvent-based Sealants | | United Duct Sealer™ Offers high-bonding strength for sure, first-time sealing of joints in low to high pressure HVAC duct systems. Its superior quality makes it suitable for indoor and outdoor use. UL Classified. UL Listed. | ±40 in wg | Brown | 1-gal metal pails |

| | | | | | |
|----------------------|--|---|-----------|------|---------------------|
| Water-based Sealants | | United Duct Sealer™ WB Specially formulated to seal low to high pressure duct systems in indoor and outdoor use. It provides excellent adhesion to galvanized metal. It contains no solvents or asbestos and it is non-flammable and fire retardant. UL Classified. | ±40 in wg | Gray | 1-gal plastic pails |
|----------------------|--|---|-----------|------|---------------------|

| Category | Image | Product Description | Coverage/Size | Color | Packaging |
|----------------------------------|-------|--|-------------------|---------------------|---------------------|
| Water-based Insulation Adhesives | | UNI-TACK™ Insulation Adhesive An economical adhesive product for bonding insulation to metal surfaces. It has excellent temperature and moisture resistance after curing, and it's durable bond will not become brittle. Can be sprayed, brushed, or rolled on. UL Classified. | 400 sq ft per gal | White (dries clear) | 5-gal plastic pails |



| Model | Finish | Sizes | Horizontal | Vertical |
|--------|-----------------|-------|-------------------|-------------------|
| DS1303 | White | 30" | 200 CFM/6.5 Sones | 200 CFM/6.5 Sones |
| DS1308 | Stainless Steel | 30" | 200 CFM/6.5 Sones | 200 CFM/6.5 Sones |
| AV1303 | White | 30" | 180 CFM/7.0 Sones | 180 CFM/7.0 Sones |
| AV1306 | Black | 30" | 180 CFM/7.0 Sones | 180 CFM/7.0 Sones |

| Model | Description | Exhaust Capacity | Duct Size | Amps | CFM/Sones |
|-------|-----------------|---------------------------|-----------|------|-----------|
| BFQ90 | Ceiling Exhaust | 85 to 115 ft ² | 4" | 0.45 | 90/2.5 |

ADVANTAGE SERIES FANS - BULK PACKS

| | |
|----------|-----------------------------|
| ASHSG | AS50/60/70 BATHFAN HOUSING |
| AS50 MBG | 50 CFM MOTOR, BLADE & GRILL |



Edmonton Only

| Model | CFM | Sones |
|------------|-----|-------|
| BPT12-02A | 50 | 1.0 |
| BPT15-14A1 | 80 | 1.0 |

EDMONTON SALES OFFICE
13428 – 149 Street N.W., Unit 113
Edmonton, AB T5V 0B7

Ph: 780.477.9231 Fax: 780.477.3701
Email: edmonton@ehpricesales.com

CALGARY SALES OFFICE
120, 10 Stonehill Place N.E.
Calgary, Alberta, T3N 1T7

Ph: 403.777.2790 Fax: 403.777.2791
Email: calgary@ehpricesales.com

LOCAL DELIVERY AVAILABLE | CONTACT YOUR E.H.PRICE SALES REPRESENTATIVE FOR MORE INFORMATION



CANADIAN HEAD OFFICE

e.h.price

638 Raleigh Street
Winnipeg, Manitoba Canada R2K 3Z9
Ph: 204.669.4220 Fax: 204.663.2715

- Canadian Head Office, Laboratory, & Manufacturing Facilities in Winnipeg, Manitoba
- Sales Offices or Representation in all major Canadian cities

Product Improvement is a continuing endeavour at Price. Therefore, specifications are subject to change without notice. Consult your E.H. Price Sales representative for current specifications or more detailed information.

Warranty: The Company warrants and guarantees that all goods within this brochure that have been manufactured by the Company have been manufactured in accordance with the specifications published herein and will be free from defects in material and workmanship for a period of twelve (12) months from the Bill of Lading issued by the Company. The Company will replace defective product at its option, but will not be responsible for labor or material charges in replacing product or consequential damages. Any installation not conforming with the Company's specifications, manuals, bulletins or instructions or any misuse or any modification not authorized by the Company voids this warranty. This warranty is in lieu of all Provincial, State, and Federal statutory warranties and the conditions herein are in substitution and replacement of which warranties, statutory or otherwise.